

# SEARS OWNER'S MANUAL

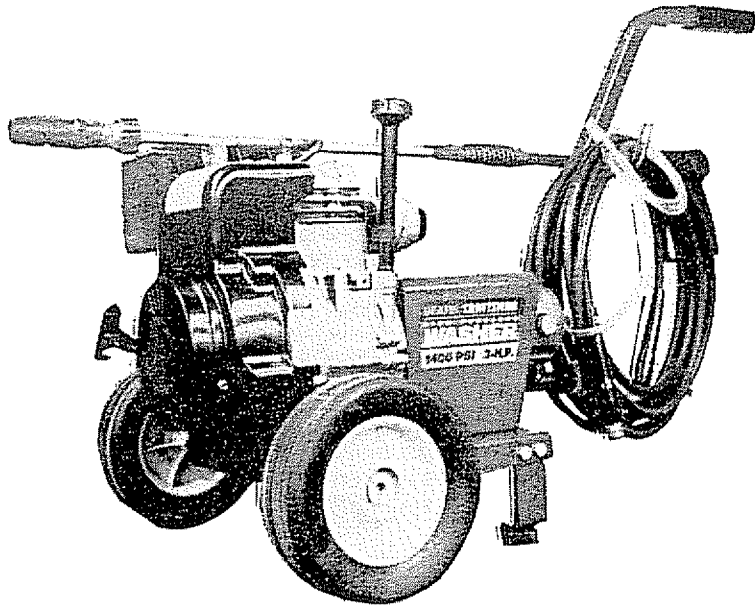
MODEL NO.

580.747100

**PRESSURE WASHER  
CUSTOMER  
HELPLINE  
1-800-222-3136**

**HELPLINE HOURS OF OPERATION  
MON. - FRI. 8 AM - 5 PM (CST)**

**CAUTION:**  
Read and Follow  
all Safety Rules  
and Instructions  
Before Operating  
This Equipment



## CRAFTSMAN<sup>®</sup>

3 HORSEPOWER

1400 PSI

HIGH PRESSURE WASHER

- Assembly
- Operation
- Customer Responsibilities
- Service and Adjustment
- Repair Parts

SEARS, ROEBUCK and CO., Hoffman Estates, IL 60179 U.S.A.



0 24847 30430 5  
Part No 88601GS-rv0-1/17/94

# SAFETY RULES



**CAUTION: ALWAYS DISCONNECT SPARK PLUG WIRE AND PLACE WIRE WHERE IT CANNOT CONTACT SPARK PLUG, TO PREVENT ACCIDENTAL STARTING WHEN SETTING UP, TRANSPORTING, ADJUSTING OR MAKING REPAIRS TO YOUR HIGH PRESSURE WASHER.**

## TRAINING:

- Engine exhaust gases contain DEADLY carbon monoxide gas. This dangerous gas, if breathed in sufficient concentrations, can cause unconsciousness or even death. Operate this equipment only in the open air where adequate ventilation is available.
- Gasoline is highly FLAMMABLE and its vapors are EXPLOSIVE. Do not permit smoking, open flames, sparks or heat in the vicinity while handling gasoline. Avoid spilling gasoline on a hot engine. Allow unit to cool for 2 minutes before refueling. Comply with all laws regulating storage and handling of gasoline.
- Locate this pressure washer in areas away from combustible materials, combustible fumes or dust.
- The high pressure equipment is designed to be used with Sears authorized parts only. If you use this equipment with parts that do not comply with minimum specifications, the user assumes all risks and liabilities.
- Some chemicals or detergents may be harmful if inhaled or ingested, causing severe nausea, fainting or poisoning. The harmful elements may cause property damage or severe injury.
- Do not allow CHILDREN to operate the Pressure Washer at any time.

## PREPARATION:

- Operate engine only at governed speed. Running the engine at excessive speeds increases the hazard of personal injury. Do not tamper with parts which may increase or decrease the governed speed.
- Do not wear loose clothing, jewelry or anything that may be caught in the starter or other rotating parts.
- Before starting the Pressure Washer in cold weather, check all parts of the equipment and be sure ice has not formed there.
- Units with broken or missing parts, or without protective housing or covers should NEVER be operated.
- The muffler and air cleaner must be installed and in good condition before operating the Pressure Washer. These components act as spark arrestors if the engine backfires.
- Check the fuel system for leaks or signs of deterioration such as chafed or spongy hose, loose or missing clamps or damaged tank or cap. Correct all defects before operating the Pressure Washer.

## OPERATION:

- Do not spray flammable liquids.
- Never aim the gun at people, animals or plants.
- Never allow any part of the body to come in contact with the fluid stream. DO NOT come in contact with a fluid stream created by a leak in the high pressure hose.
- High pressure stream of fluid that this equipment can produce can pierce skin and its underlying tissues, leading to serious injury and possible amputation.

- High pressure spray can cause paint chips or other particles to become airborne and fly at high speeds.
- Always wear eye protection when you use this equipment or when you are in the vicinity where the equipment is in use.
- Operate the pressure at no more than the PSI fluid pressure rated for your pressure washer.
- Never move the machine by pulling on the high pressure hose. Use the handle provided on the top of the unit.
- Always be certain the spray gun, nozzles and accessories are correctly attached.
- Never use a spray gun which does not have a trigger lock or trigger guard in place and in working order.
- Use a respirator or mask whenever there is a chance that vapors may be inhaled. Read all instructions with the mask so you are certain the mask will provide the necessary protection against inhaling harmful vapors.
- High pressure spray may damage fragile items including glass. Do not point spray gun at glass when in the jet spray mode.
- Keep the hose connected to machine or the spray gun while the system is pressurized. Disconnecting the hose while the unit is pressurized is dangerous.
- Hold the spray gun firmly in your hand before you start the unit. Failure to do so could result in an injury from a whipping spray gun. Do not leave the spray gun unattended while the machine is running.
- The cleaning area should have adequate slopes and drainage to reduce the possibility of a fall due to slippery surfaces.
- Keep water spray away from electric wiring or fatal electric shock may result.
- Do not adjust unloader valve to a pressure in excess of machine rating.
- Do not secure trigger gun in the pull-back (open) position.
- Do not by-pass any safety device on this machine.
- Do not leave trigger closed for more than 5 minutes with engine running. This could damage the pump.
- The muffler and engine heat up during operation and remain hot immediately after shutting it down. Avoid contact with a hot muffler or engine or you could be severely burned.

## MAINTENANCE AND STORAGE:

- Operate and store this unit on a stable surface.
- High pressure hose can develop leaks from wear, kinking, abuse, etc. Water spraying from a leak is capable of injecting material into skin. Inspect hose each time before using it. Check all hoses for cuts, leaks, abrasions or bulging of cover, or damage or movement of couplings. If any of these conditions exist, replace hose immediately. Never repair high pressure hose. Replace it with another hose that meets minimum pressure rating of your pressure washer.



**LOOK FOR THIS SYMBOL TO POINT OUT IMPORTANT SAFETY PRECAUTIONS. IT MEANS "ATTENTION!!! BECOME ALERT!!! YOUR SAFETY IS INVOLVED."**

CONGRATULATIONS on your purchase of a Sears Craftsman high pressure washer. It has been designed, engineered and manufactured to give you the best possible dependability and performance.

Should you experience any problem you cannot easily remedy, please contact your nearest Sears Service Center/Department. We have competent, well-trained technicians and the proper tools to service or repair this unit.

Please read and retain this manual. The instructions will enable you to assemble and maintain your high pressure washer properly. Always observe the "SAFETY RULES."

MODEL NUMBER	580.741700
SERIAL NUMBER	_____
DATE OF PURCHASE	_____

THE MODEL AND SERIAL NUMBERS WILL BE FOUND ON A DECAL ATTACHED TO THE PRESSURE WASHER.  
YOU SHOULD RECORD BOTH SERIAL NUMBER AND DATE OF PURCHASE AND KEEP IN A SAFE PLACE FOR FUTURE REFERENCE.

### MAINTENANCE AGREEMENT

A Sears Maintenance Agreement is available on this product. Contact your nearest Sears store for details.

### CUSTOMER RESPONSIBILITIES

- Read and observe the safety rules.
- Follow regular schedule in maintaining, caring for and using your high pressure washer.
- Follow the instructions under "Customer Responsibilities" and "Storage" sections of this Owner's Manual.

## PRODUCT SPECIFICATIONS

### Pressure Washer Specifications

OUTLET PRESSURE	1400 psi
FLOW RATE	2 gpm
DETERGENT MIX	Use undiluted detergent
WATER SUPPLY TEMPERATURE	Not to exceed 140°F
SUCTION HEIGHT	3 FT. maximum

### Engine Specifications

RATED HORSEPOWER	3 HP
DISPLACEMENT	9.06 cu. inches (148cc)
SPARK PLUG: Type:	Champion J-8C or equivalent
Set Gap To:	0.030 inch (0.76mm)
GASOLINE CAPACITY	1 U.S. quart
OIL (20 oz. capacity)	SAE 30 weight
SOLID STATE IGNITION AIR GAP	0.0125 inch

In the State of California a spark arrestor is required by law (Section 4442 of the California Public Resources Code). Other states may have similar laws. Federal laws apply on federal lands.

**NOTE:** If you equip the engine of your pressure washer with a spark arrestor muffler, the spark arrestor must be maintained in effective working order by the owner/operator.

You can order a spark arrestor through your Sears Service Center. See Pages 16 and 17 for details.

### ONE YEAR LIMITED WARRANTY ON CRAFTSMAN HIGH PRESSURE WASHER

For one year from the date of purchase, when this Craftsman High Pressure Washer is maintained and operated according to the instructions in the owner's manual, Sears will repair, free of charge, any defect in material and workmanship.

If the Craftsman High Pressure Washer is used for commercial purposes, this warranty applies for only 90 days from the date of purchase. If the high pressure washer is used for rental purposes, this warranty applies for only 30 days after date of purchase.

This warranty does not cover:

- Expendable items
- Repairs necessary because of operator abuse or negligence, including both crankshaft and the failure to maintain the equipment according to the instructions contained in the owner's manual.

WARRANTY SERVICE IS AVAILABLE BY RETURNING THE HIGH PRESSURE WASHER TO THE NEAREST SEARS SERVICE CENTER/DEPARTMENT THROUGHOUT THE UNITED STATES.

This warranty gives you specific legal rights and you may also have other rights, which vary from state to state.

SEARS, ROEBUCK AND CO., D/817 WA, Hoffman Estates, IL 60179

# TABLE OF CONTENTS

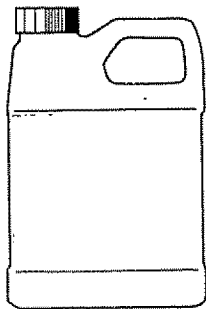
SAFETY RULES .....	2	CUSTOMER RESPONSIBILITIES .....	11-12
PRODUCT SPECIFICATIONS .....	3	SERVICE AND ADJUSTMENTS .....	12
ACCESSORIES AND ATTACHEMENTS .....	4	STORAGE .....	13
CONTENTS OF HARDWARE PACK .....	5	TROUBLESHOOTING .....	14
ASSEMBLY .....	6	REPLACEMENT PARTS .....	15-19
OPERATION .....	7-10		

## INDEX

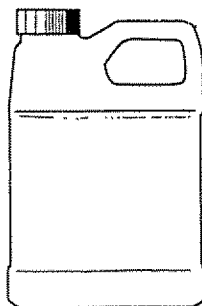
<b>- A -</b>	<b>- G -</b>	<b>- P -</b>
Air Cleaner .....	Gun and Wand Assembly .....	Parts Shipped Loose .....
Assembly .....	6, 7	Preparing Washer .....
Removing from Carton .....		Pressure Regulator .....
Tools Required .....		7
Set Up .....		
6		
6		
<b>- B -</b>	<b>- H -</b>	<b>- R -</b>
Before Starting .....	Hardware Pack .....	Repair Parts .....
9	High Pressure Hose .....	15-19
	7	
<b>- C -</b>	<b>- M -</b>	<b>- S -</b>
Carburetor .....	Maintenance .....	Safety Latch .....
12	Engine .....	9
Customer Responsibilities .....	12	Service and Adjustments .....
1, 11	Pump .....	12
Changing Oil .....	11, 13	Storage .....
11		Engine .....
Checking Oil Level .....		13
11		Pressure Washer Pump .....
General Recommendations .....		13
11		
Pump .....		
12		
Replace Spark Plug .....		
12		
Service Air Cleaner .....		
12		
<b>- E -</b>	<b>- O -</b>	<b>- T -</b>
Engine Speed .....	Oil, Engine .....	Troubleshooting .....
12	9	14
	Operation .....	
	Detergent Application .....	
	8	
	Stopping .....	
	8	
	To Start Engine .....	
	10	
	To Turn On Washer .....	
	9	
	To Use .....	
	8	
		<b>- W -</b>
		Warranty .....
		3

## ACCESSORIES AND ATTACHMENTS

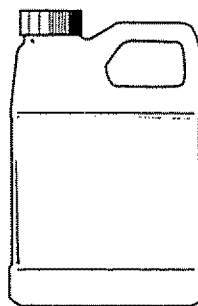
These accessories and attachments were available when the high pressure washer was purchased. They are also available at most Sears retail outlets and service centers. Most Sears stores can order these items for you when you provide the model number of your high pressure washer.



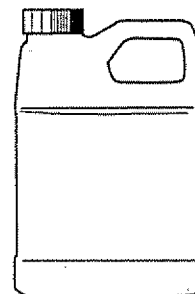
HOUSE WASH  
74273



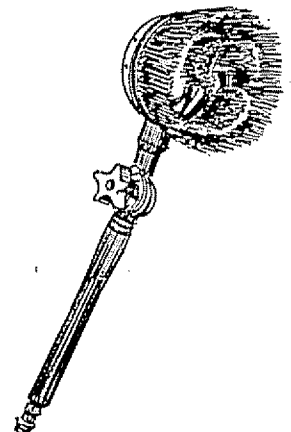
DECK WASH  
74274



VEHICLE WASH  
74275



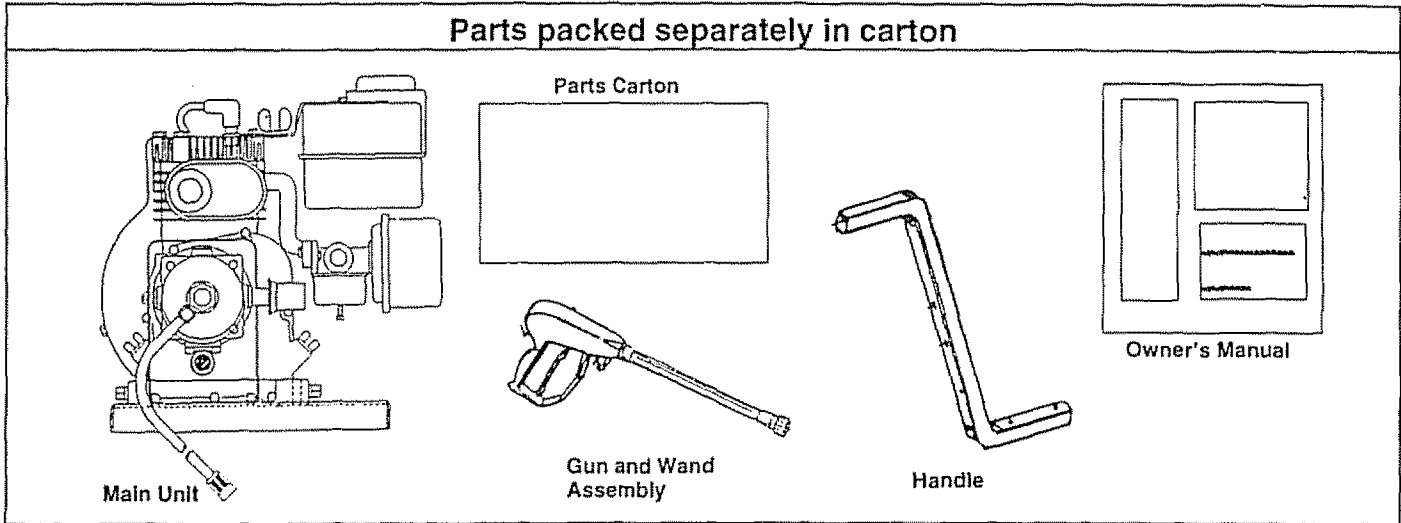
DEGREASER  
74276



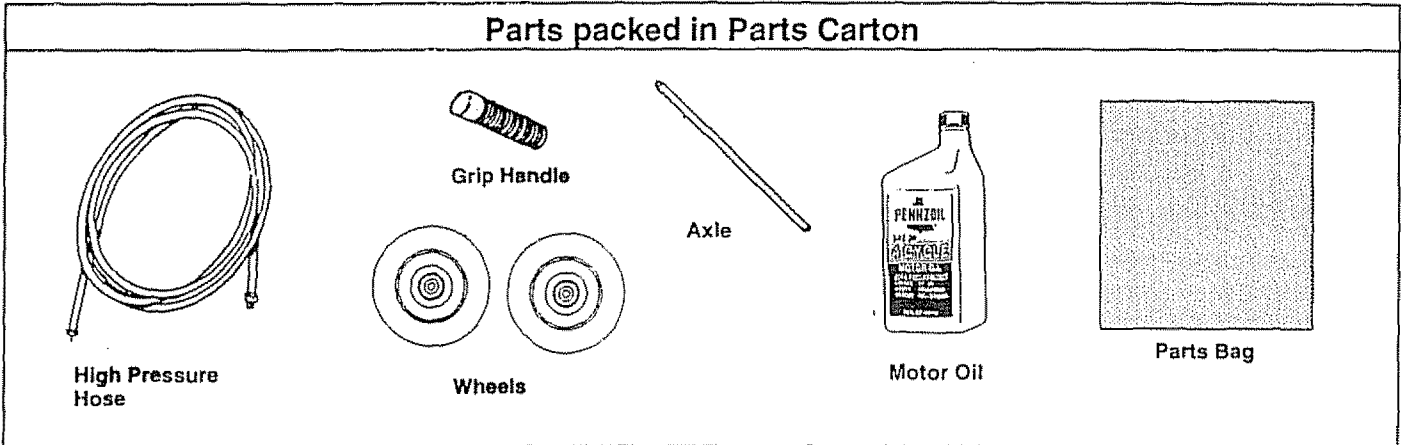
ROTATING BRUSH  
74189

# CONTENTS OF HARDWARE PACK

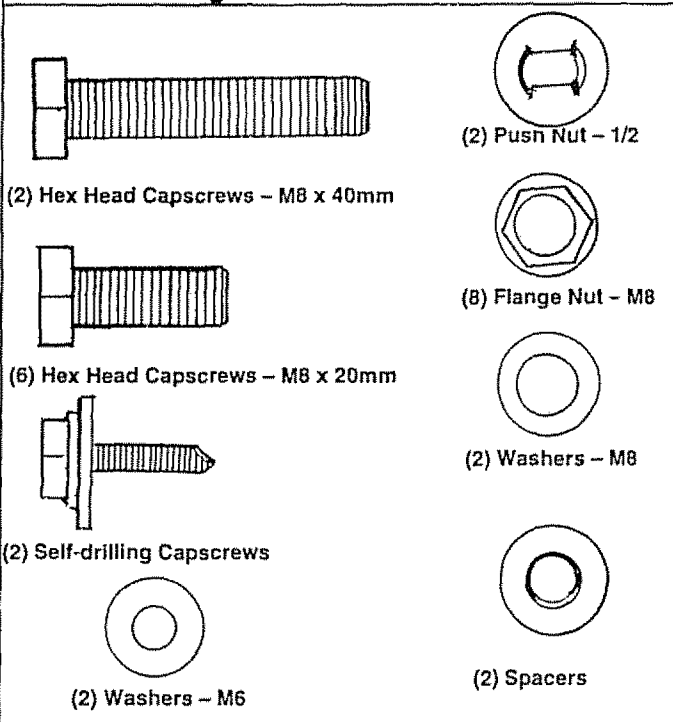
## Parts packed separately in carton



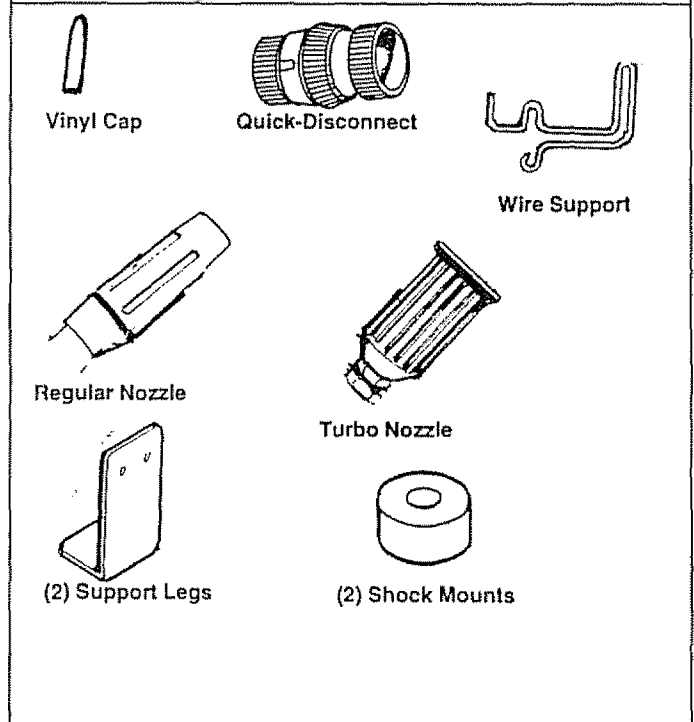
## Parts packed in Parts Carton



## Parts Bag contents shown full size



## Parts Bag contents not shown full size



# ASSEMBLY

Read these instructions and Operator's Manual in its entirety before you attempt to assemble or operate your new high pressure washer. Your high pressure washer has, for the most part, been assembled at the factory, except those parts left unassembled. Before you can operate your new high pressure washer, you must assemble the wheel kit and properly connect the high pressure hose.

IF YOU HAVE ANY PROBLEMS WITH THE ASSEMBLY OF YOUR PRESSURE WASHER, PLEASE CALL THE PRESSURE WASHER CUSTOMER HELPLINE AT 1-800-222-3136.

## TOOLS REQUIRED FOR ASSEMBLY

- Mallet
- Socket wrench with 1/2-inch or 13mm Sockets
- Crescent Wrenches or Combination Wrenches
- 8mm nut driver

## TO REMOVE PRESSURE WASHER FROM CARTON

- Remove guide handle (wrapped in plastic).
- Remove accessories box from carton.
- Remove gun/wand assembly from cardboard holder.
- Remove all other packing material from box before removing your high pressure washer.

## HOW TO SET UP YOUR PRESSURE WASHER TO INSTALL THE WHEEL KIT

Installing wheel kit, requires the tools listed above, the guide handle and items included in the parts carton. You can also refer to the Parts Illustration on Page 15.

- With the mallet, tap a push nut onto one end of the axle.

- Slide a wheel onto the axle (protruding hub positioned inward) against the push nut (Fig. 1), then add a spacer.
- Slip this assembly through hole at the base of the pressure washer and attach the wheel spacer, wheel (protruding hub positioned inward) and push nut on the other end of the axle. Tap the second push nut with mallet until secure (Fig. 2).

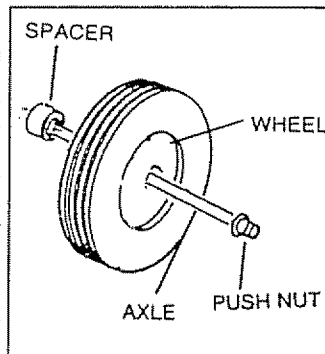


FIG. 1

- Assemble shock mounts to support legs with M8-1.25 x 20mm hex head capscrews and M8 flange nuts.
- Attach the support legs to the base as shown in Fig. 2 with hex head capscrews and flange lock nuts. Tighten fasteners until legs are straight.
- To make it easier to place handle grip on guide handle, apply a soapy water solution to the handle first. After the handle grip is on, attach the guide handle to the base as shown in Fig. 2 with two M8-1.25 x 40mm hex head capscrews, two M8 washers and two flange nuts.
- Attach wire support to guide handle with #10 self-drilling screws and M6 flat washers. The hose minder should be to left and gun holder to the right. Be sure loop of support is pointing upward. Place vinyl cap onto gun holder.

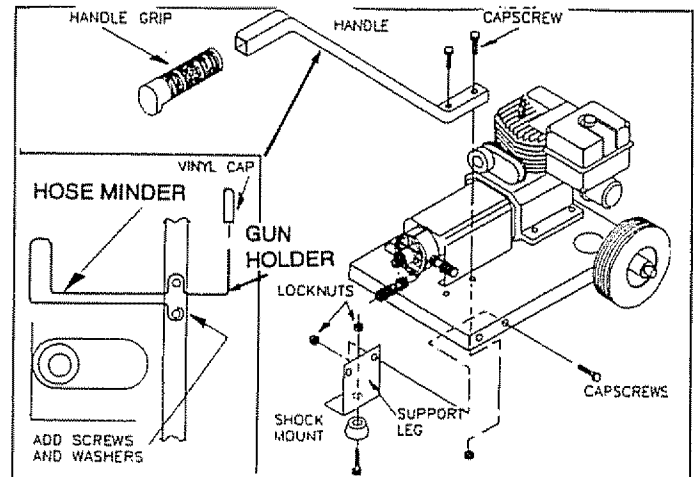


FIG. 2

## TO ASSEMBLE REMAINING COMPONENTS

IMPORTANT: YOU MUST ASSEMBLE WAND AND ATTACH ALL HOSES BEFORE YOU START ENGINE. STARTING ENGINE WITHOUT ALL HOSES CONNECTED AND WATER SUPPLIED WILL DAMAGE PUMP.

- Included with this unit is a quick-connect fitting that you attach to the water inlet. It can separate into two parts — a black male connector and an orange section that contains an inlet screen. Make sure screen is clean. Attach the quick-connect fitting to the front of the pump (Fig. 4). The black male connector is the side that you attach to plastic fitting.
- Unravel high pressure hose and check that threads on one end are properly covered with teflon tape. If tape is not properly applied, reapply it so threads are fully covered. The tape seals the connection from hose to gun and wand assembly.
- Attach fitting with teflon tape to gun and wand assembly (Fig. 3). You may want to spin gun or spin hose to secure connection. Tighten with crescent wrench.
- Attach the other end of the high pressure hose to metal upper fitting on pump. Tighten with crescent wrench.

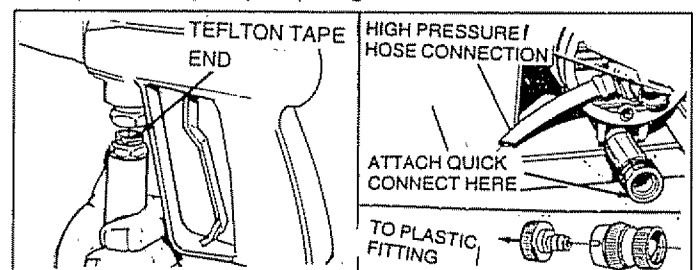


FIG. 3

FIG. 4

## CHECKLIST

- Check that fasteners are tight. Vibration during operation may loosen fasteners that are not tight enough.
- Check for proper hose connections (high pressure and water supply) and for tight connections.
- Provide proper water supply (not to exceed 140°F).

# OPERATION

## KNOW YOUR HIGH PRESSURE WASHER

READ THIS OWNER'S MANUAL AND SAFETY RULES BEFORE OPERATING YOUR HIGH PRESSURE WASHER. Compare the illustrations with your high pressure washer, to familiarize yourself with the locations of various controls and adjustments. Save this manual for future reference.

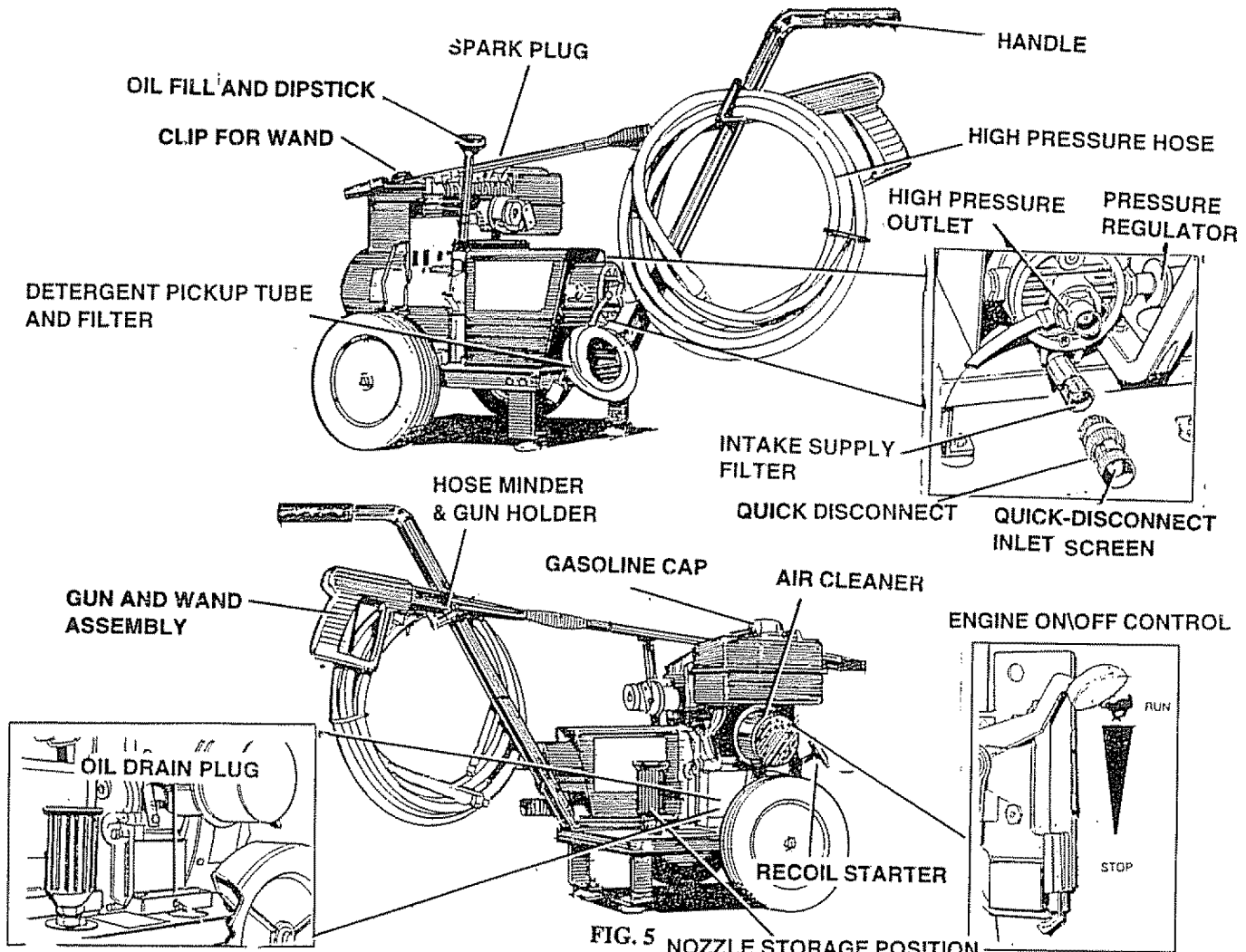


FIG. 5 NOZZLE STORAGE POSITION

**PUMP** — Develops high pressure.

**PRESSURE REGULATOR** — Allows you to adjust the pressure (up to 1,400 psi).

**ENGINE ON-OFF CONTROL** — Sets engine in starting mode for recoil starter; turns OFF running engine.

**RECOIL STARTER** — Used for starting the engine manually.

**AIR CLEANER** - Dry type filter element limits the amount of dirt and dust that gets in the engine.

**GUN AND WAND ASSEMBLY**— Controls the application of water onto cleaning surface with trigger device. Includes safety latch.

**HIGH PRESSURE HOSE** — Connect one end to water pump and other to spray wand.

**INTAKE SUPPLY FILTER** — Filters inlet water supply.

**DETERGENT PICKUP TUBE AND FILTER** — Mixes water and detergent in outlet water flow.

**HIGH PRESSURE OUTLET** — Connection for high pressure hose.

**QUICK-CONNECT** — Easy connection for intake water supply.

# OPERATION

## HOW TO USE YOUR WASHER

IF YOU HAVE ANY PROBLEMS OPERATING YOUR PRESSURE WASHER, PLEASE CALL THE PRESSURE WASHER CUSTOMER HELPLINE AT 1-800-222-3136.

### STOPPING YOUR PRESSURE WASHER

- First, move engine throttle lever to "STOP" position (Fig. 6).
- Simply shutting OFF engine will not release pressure in the system. Pull the trigger on the spray wand assembly to relieve the pressure in the hose.

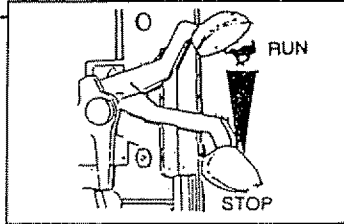


FIG. 6

**NOTE:** A small amount of water will squirt out when you release the pressure.

### SPRAY NOZZLES

Your high pressure washer comes equipped with a choice of two spray nozzle attachments — an adjustable nozzle (Fig. 7) and a turbo nozzle (Fig. 8). Attach either nozzle as shown in Fig. 7 and **HAND TIGHTEN** the plastic knob.

### HOW TO USE ADJUSTABLE NOZZLE

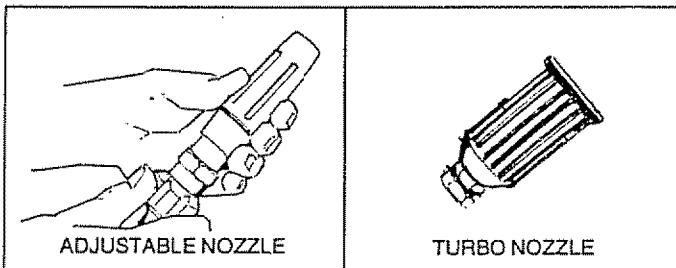


FIG. 7

FIG. 8

**WARNING: NEVER ADJUST SPRAY PATTERN WHEN SPRAYING. NEVER PUT HANDS IN FRONT OF SPRAY NOZZLE TO ADJUST SPRAY PATTERN.**

With the adjustable nozzle you can adjust the spray pattern to be either high pressure or low pressure. You can also adjust the spray so it is concentrated in a stream pattern or expanded into a fan pattern. Use this nozzle to apply detergent.

- Push the nozzle attachment forward when you wish to adjust the spray to low pressure mode (Fig. 9). Push the nozzle backward to achieve high pressure.

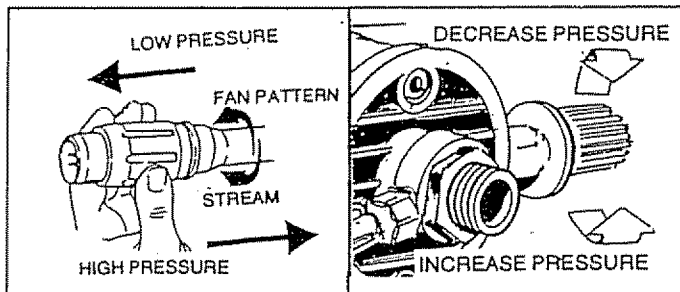


FIG. 9

FIG. 10

- Twisting the nozzle adjusts the spray pattern from a narrow stream to an expanded stream.
- You can also adjust the pressure by turning the pressure control knob (Fig. 10) to the desired pressure setting. Turning this knob all the way clockwise produces the highest pressure. Do not unscrew the pressure control valve too far. It will come off.

### DETERGENT APPLICATION WITH ADJUSTABLE NOZZLE

**IMPORTANT: USE SOAPS DESIGNED SPECIFICALLY FOR PRESSURE WASHERS. HOUSEHOLD DETERGENTS COULD DAMAGE THE PUMP.**

**IMPORTANT: YOU MUST ATTACH ALL HOSES BEFORE YOU START THE ENGINE. STARTING THE ENGINE WITHOUT ALL THE HOSES CONNECTED WILL DAMAGE THE PUMP.**

Pressure washers are useful cleaning tools designed to clean almost any surface in two easy steps.

- The first step involves applying an appropriate detergent/solvent solution to penetrate and loosen grime. The detergent is applied at low pressure to avoid splashing, overspraying and waste. Leave the solution on the surface for 3 to 5 minutes to allow the solution to work.
- The second step involves cleaning the surface you have prepared with the pressure washer and then rinsing it clean.

To apply detergent follow these steps:

- Prepare your detergent solution as required by your job.
- Place the small filter of the clear, detergent syphoning tube into the detergent container (Fig. 11).
- Set nozzle to low pressure. Detergent is not syphoned in the high pressure mode (Fig. 9).
- Start washer and apply detergent to a dry surface, starting from the bottom and working up.

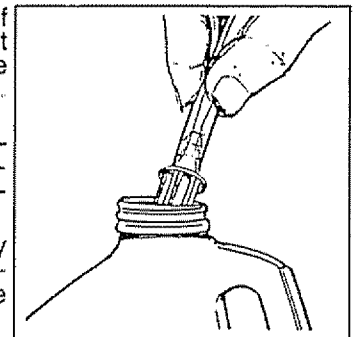


FIG. 11

**NOTE:** Detergents are most effective when applied to a dry surface.

### HOW TO USE TURBO NOZZLE

- The rotating turbo nozzle, in essence, expands the area of the high pressure stream.
- You cannot adjust the spray pattern with this nozzle.
- You cannot apply detergent with this nozzle.

### STORING NOZZLES

A holder for the nozzles is included on the base. You can keep the nozzle not in use in this holder. See Fig. 5 on Page 7 to see the turbo nozzle storage position.



# OPERATION

## PRESSURE WASHING/RINSING



**WARNING:** BE EXTREMELY CAREFUL IF YOU MUST USE PRESSURE WASHER FROM A LADDER OR SCAFFOLDING OR FROM ANY OTHER RELATIVELY UNSTABLE LOCATION. PRESSURE IN A RUNNING WASHER BUILDS IN THE WAND AS YOU CLIMB. WHEN YOU PRESS THE TRIGGER, THE RECOIL FROM THE INITIAL SPRAY COULD FORCE YOU TO FALL, OR IF YOU ARE TOO CLOSE TO THE CLEANING SURFACE, HIGH PRESSURE COULD FORCE YOU OFF CLIMBING APPARATUS.

- Hook up water supply (Fig. 12).
- Adjust nozzle to select high pressure mode.

**NOTE:** Detergent will not flow when in the high pressure mode.

- Start washer and work from the top of the surface to the bottom.

**NOTE:** The high pressure mode is most effective when the tip of the wand is held between 6 inches to two feet from the surface being cleaned.

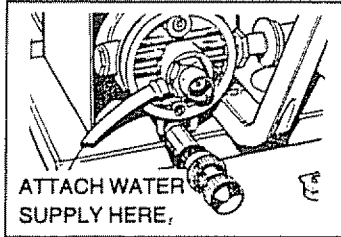


FIG. 12

## BEFORE STARTING THE ENGINE

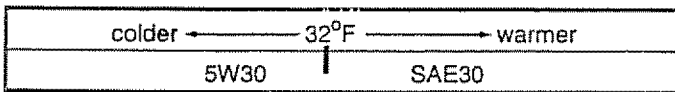
To operate the engine you will need the following:

### ENGINE OIL

**IMPORTANT:** ANY ATTEMPT TO CRANK OR START THE ENGINE BEFORE IT HAS BEEN PROPERLY SERVICED WITH THE RECOMMENDED OIL RESULTS IN AN ENGINE FAILURE.

A 20 oz. bottle of SAE 30 weight oil is included in the parts carton.

**NOTE:** When adding oil to the engine crankcase in the future, use only high quality detergent oil rated with API service classification SF or SG, rated SAE 30 weight. Select the oil's viscosity grade according to your expected operating temperature.



Although multi-viscosity oils (5W30, 10W30, etc.) improve starting in cold weather, these multi-viscosity oils will result in increased oil consumption when used above 32°F. Check your engine oil level more frequently to avoid possible damage from running low on oil. Oil sump capacity is 20 ounces.

- Position pressure washer so engine is level.
- Clean area around oil fill and remove oil dipstick (Fig. 13).
- Wipe dipstick clean, insert it into oil fill hole and tighten securely. Remove oil dipstick. If oil is not up to FULL MARK on dipstick, add recommended oil. POUR SLOWLY.

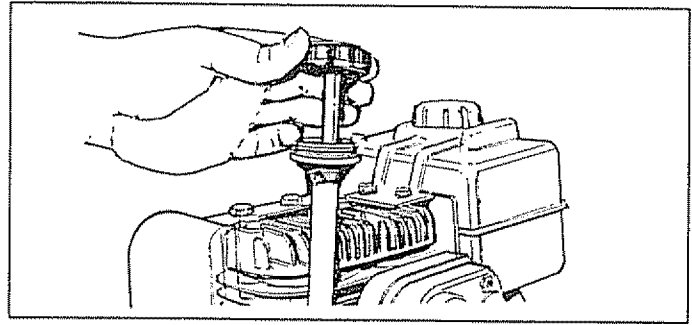


FIG. 13

- Wipe dipstick clean each time oil level is checked.
- IMPORTANT:** DO NOT FILL ABOVE "FULL" MARK ON DIPSTICK.

- Pour oil from the enclosed bottle into the oil fill opening.
- Install oil dipstick, hand tighten securely.

### GAS



**WARNING:** NEVER FILL FUEL TANK INDOORS. NEVER FILL FUEL TANK WHEN ENGINE IS RUNNING OR HOT. DO NOT SMOKE WHEN FILLING FUEL TANK.



**WARNING:** NEVER FILL FUEL TANK COMPLETELY FULL. FILL TANK TO ABOUT 1/2" BELOW THE BOTTOM OF FILLER NECK TO PROVIDE SPACE FOR FUEL EXPANSION. WIPE AWAY ANY FUEL SPILLAGE FROM ENGINE AND EQUIPMENT BEFORE STARTING.

The manufacturer recommends fresh, clean, unleaded regular automotive gasoline with a minimum of 77 octane (Leaded regular grade is an acceptable substitute). Tank capacity is 2 U.S. quarts.

- Use clean fuel and store in approved, clean covered containers. Use clean fill funnels. Never use "stale" gasoline left over from last season or gasoline stored for long periods.

**IMPORTANT:** IT IS IMPORTANT TO PREVENT GUM DEPOSITS FROM FORMING IN ESSENTIAL FUEL SYSTEM PARTS SUCH AS THE CARBURETOR, FUEL FILTER, FUEL HOSE OR TANK DURING STORAGE. ALSO, EXPERIENCE INDICATES THAT ALCOHOL-BLENDED FUELS (CALLED GASOHOL OR USING ETHANOL OR METHANOL) CAN ATTRACT MOISTURE WHICH LEADS TO SEPARATION AND FORMATION OF ACIDS DURING STORAGE. ACIDIC GAS CAN DAMAGE THE FUEL SYSTEM OF AN ENGINE WHILE IN STORAGE. TO AVOID ENGINE PROBLEMS, THE FUEL SYSTEM SHOULD BE EMPTIED BEFORE STORAGE OF 30 DAYS OR LONGER. SEE "STORAGE" ON PAGE 11. NEVER USE ENGINE OR CARBURETOR CLEANER PRODUCTS IN THE FUEL TANK OR PERMANENT DAMAGE MAY OCCUR.

- Clean area around fuel fill cap, remove cap
- Add "UNLEADED" regular gasoline, slowly, to fuel tank.
- Install fuel cap and wipe up any spilled gasoline.

# OPERATION

## TO TURN ON WASHER

- Attach one end of a garden hose to a cold water source. Water supply should not exceed 140°F (55°C).
- Check that high pressure hose is attached to pump outlet and that water supply is attached to pump inlet (plastic fitting).
- Turn ON water.
- Press trigger on gun and wand assembly to force air from high pressure hose.
- Adjust nozzle for correct pressure, spray angle. You can also turn the pressure control knob to the desired pressure setting.
- Start engine according to "TO START ENGINE."

## TO START ENGINE

**IMPORTANT:** DO NOT RUN PUMP WITHOUT THE WATER SUPPLY CONNECTED. DO NOT ALLOW PUMP TO RUN FOR MORE THAN 5 MINUTES WITHOUT PRESSING THE TRIGGER ON THE GUN. IF NOT IN USE FOR MORE THAN 5 MINUTES WITHOUT PULLING THE TRIGGER, RELIEVE PRESSURE AND SHUT OFF THE UNIT. YOU MUST FOLLOW THIS CAUTION OR THE PUMP WILL BE DAMAGED.

- Press trigger on pressure washer wand to relieve high pressure and/or purge the inlet hose of air.
- Adjust safety latch to the ON position. This disables the trigger so you cannot inadvertently actuate a high pressure spray (Fig. 14).
- Prime the engine by pressing the primer button 5 times. Wait 2 seconds between each prime (Fig. 15).

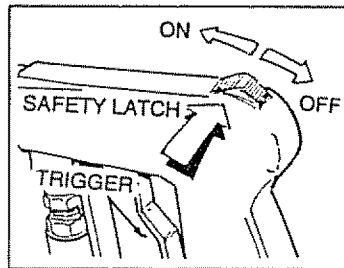


FIG. 14

**NOTE:** For a warm engine do not use primer.

- Place engine throttle lever (located beneath fuel tank) in the RUN position (Fig. 16).
- Grasp the engine starter recoil handle and pull back slowly until it pulls harder. Let rope rewind slowly. Then pull rope with a rapid full arm stroke. Let rope return slowly.
- If engine fails to start after three pulls, prime the engine 5 times again, press trigger to relieve pressure and pull starter rope again.
- Once engine has started, place Safety Latch in OFF position.

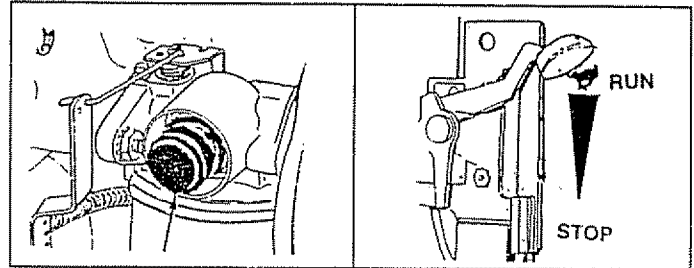


FIG. 15

FIG. 16

- Press trigger on gun and wand assembly. Water should spray out the nozzle.
- Your pressure washer is ready to use.

## SIPHONING

We do not recommend that you siphon your water supply from sources other than from connecting to household water supply for the following reasons:

- The pump's lifting capability is only a 3-foot maximum vertical height.
- You need an extra intake water filter
- You need to use a rigid intake hose (it cannot collapse).
- Intake water cannot contain any mixture of detergent or chemicals. This could affect the life of the pump.

## TIPS

- Initially clean an area and then check the surface for damage. If no damage is found, you can assume it is okay to continue cleaning. Detergents work best when applied to dry surface.
- For most effective cleaning, keep spray nozzle between 8 to 24 inches of cleaning surface.
- Allow the detergent to soak in between 3-5 minutes before washing and rinsing.
- For cleaning, start at lower portion of area to be washed and work upward, using long, even overlapping strokes.
- For rinsing, push the nozzle sleeve to high pressure and wait for detergent to clear. Start at the top of area to be rinsed, working down with the same action as for cleaning.
- Never use the garden hose inlet to siphon detergent or wax.
- If you get the spray nozzle too close, especially using high pressure mode, you may damage the cleaning surface.
- If you have the spray nozzle too far away, the cleaning will not be as effective.
- Do not get closer than 6 inches when cleaning automobile tires.

# CUSTOMER RESPONSIBILITIES

MAINTENANCE SCHEDULE FILL IN DATES AS YOU COMPLETE REGULAR SERVICE	HOURLY OPERATING INTERVAL					SERVICE DATES				
	Before Each Use	Every 25 Hours or Yearly	After First 50 Hours	Every 100 Hours or Yearly	Every 500 Hours or Yearly					
<b>PRESSURE WASHER</b>										
1. Check inlet filter	X∇									
2. Check high pressure hose.	X									
3. Check detergent hose.	X									
4. Check gun and wand for leaks.	X									
5. Change pump oil			X‡		X					
<b>ENGINE</b>										
1. Check oil level.	X									
2. Change engine oil. ♦		X*								
3. Service air cleaner.				X**						
4. Replace/clean spark plug.				X						
5. Prepare for storage.	Prepare unit for storage if it is to remain idle longer than 30 days									

∇ Clean if clogged. Replace if perforated or torn.

‡ Change pump oil after first 50 hours of operation, then after 500 hours of operation.

♦ Change oil after first 2 hours, then after every 25 hours.

\* Change sooner when operating under heavy load or high ambient temperature.

\*\* Clean more often under dusty conditions or when airborne debris is present.

## GENERAL RECOMMENDATIONS

The warranty of the high pressure washer does not cover items that have been subjected to operator abuse or negligence. To receive full value from the warranty, operator must maintain high pressure washer as instructed in this manual.

Some adjustments will need to be made periodically to properly maintain your high pressure washer.

All adjustments in the Service and Adjustments section of this manual should be made at least once each season.

- Once a year you should replace the spark plug and clean or replace the air filter and check the gun and wand assembly for wear. A new spark plug and clean air filter assure proper fuel-air mixture and help your engine run better and last longer.

## BEFORE EACH USE

- Check engine oil level.
- Check water inlet filter and quick-connect screen for damage.
- Check high pressure hose for leaks.
- Check detergent inlet hose and filter for damage.
- Check gun and wand assembly for leaks.

## ENGINE MAINTENANCE

### Checking Oil Level:

See "PREPARATION BEFORE USE" for information on checking oil level. Oil level should be checked prior to each use or at least every 5 hours of operation. Keep oil level maintained.

### Changing Oil:

- Change oil after first 2 hours of operation. Change oil every 25 hours thereafter. If you are using your pressure washer under extremely dirty or dusty conditions, or in extremely hot weather, change oil more often.
- Change oil while engine is still warm from running, as follows:

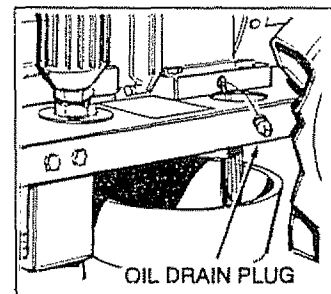


FIG. 14



**CAUTION: DISCONNECT SPARK PLUG WIRE FROM SPARK PLUG AND KEEP IT AWAY FROM SPARK PLUG.**

- Clean area around oil drain plug, remove plug and drain oil completely into a suitable container (Fig. 14).

## CUSTOMER RESPONSIBILITIES

### Changing Oil (continued):

- When all oil has drained, install and tighten oil plug.
- Remove oil dipstick. Wipe dipstick clean.
- Fill engine crankcase with recommended oil until oil level is at "FULL" point on oil dipstick. Do not overfill above that mark. About 20 ounces is required. **POUR SLOWLY.**
- When engine crankcase is filled to proper level, install and tighten oil dipstick.

### Service Air Cleaner:

Your engine will not run properly and may be damaged if you run it using a dirty air cleaner.

Clean or replace the air cleaner paper filter once every 100 hours of operation or once a year, whichever comes first. Clean or replace more often if operating under dusty or dirty conditions. Replacements are available at your local Sears Authorized Service Center.

To clean or replace air cleaner (Fig. 15):

- Loosen cover screws (these need not be removed) and remove cover. Thoroughly clean inside of base and cover.

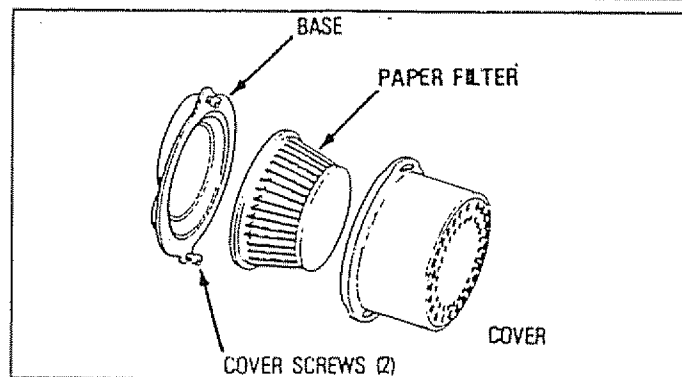


FIG. 15

- Service cartridge by tapping gently on a flat surface. Replace if dirty. Do not oil cartridge.
- Insert cartridge (new or used) and reassemble cover to base as it was before removal. Tighten cover screws securely.

### Replace Spark Plug:

Change the spark plug every 100 hours of operation or once each year, whichever comes first. This will help engine to start easier and run better. See pressure washer specifications for the type of spark plug you need. Spark plug gap is 0.030 inch (0.76mm).

## SERVICE AND ADJUSTMENTS

### ENGINE ADJUSTMENTS

#### Carburetor:

If you think your carburetor needs adjusting, see your nearest Sears Service dealer. Engine performance may be affected in altitudes above 4,000 feet. To improve engine performance, install a High Altitude Adjustment kit. To obtain this kit, see your nearest Sears Service dealer.

#### Engine Speed:



**WARNING: NEVER TAMPER WITH ENGINE GOVERNOR WHICH IS FACTORY SET FOR PROPER ENGINE SPEED. OVERSPEEDING ENGINE ABOVE FACTORY HIGH SPEED SETTING CAN BE DANGEROUS.**

**IMPORTANT: CHANGING OF ENGINE GOVERNED SPEED WILL VOID ENGINE WARRANTY.**

### PUMP ADJUSTMENT

You can adjust the pressure output of your washer by turning the pressure regulator. However, you must be careful when turning the regulator because you can unscrew the handle and remove it completely. In some instances, if you remove the knob while the washer is running, the unloader spacer can come out. You can replace the spacer easily by following these steps:

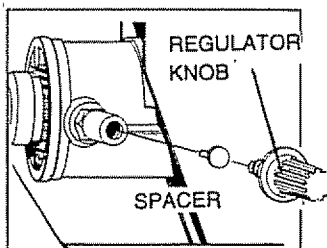


FIG. 16

- Turn off your pressure washer with the proper procedure.
- Replace the spacer so the protruding part goes in first (Fig. 16).
- Manipulate the spacer with a screw driver so the plate fits snugly inside the pipe.
- Replace the regulator knob.

### PUMP MAINTENANCE

**Pump Oil:** Change pump oil after first 50 hours of operation. Change every 500 hours thereafter. To change pump oil, follows these steps:

- Remove pump shield.
- Remove the Oil Fill Plug on top of pump (Fig. 17).
- Tilt the pressure washer to allow pump oil to pour into proper container.

**IMPORTANT: RUN THE ENGINE UNTIL FUEL TANK IS EMPTY. TIPPING THE UNIT COULD CAUSE GASOLINE TO SPILL AND ALSO ENTER THE CARBURETOR.**

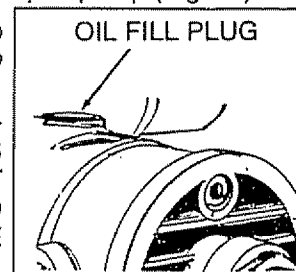


FIG. 17

- Insert funnel and add recommended SAE 15W-40 oil then install Oil Fill Plug. Capacity is 5 ounces (150 grams).
- Reinstall the pump's oil fill plug and reattach the pump shield.

# STORAGE

## PRESSURE WASHER PUMP

Water should not remain in the unit for long periods of time. Sediments of minerals can deposit on pump parts and "freeze" pump action. If you do not plan to use the Pressure Washer for more than 30 days, follow this procedure:

- Flush detergent hose by placing the injector filter into a pail of clear water while running Pressure Washer with nozzle in low pressure mode. Flush for five minutes.
- Shut off the engine and let it cool, then remove all hoses.
- Place throttle lever in "STOP" position.



**CAUTION: BE SURE THE THROTTLE LEVER IS IN "STOP" POSITION BEFORE YOU CONTINUE. IF YOU START THE ENGINE WITHOUT THE PROPER WATER SUPPLY CONNECTED, YOU CAN DAMAGE THE PUMP.**

- Empty the pump of all pumped liquids by pulling recoil handle about 6 times. This should remove most of the liquid in the pump.

**NOTE:** To protect the unit from freezing temperatures, you can draw windshield washer fluid into the pump by pouring the washer fluid into a 3-foot section of garden hose connected to the inlet adaptor and pulling the recoil handle twice.

- Store in a clean, dry area.

## ENGINE



**WARNING: NEVER STORE ENGINE WITH FUEL IN TANK INDOORS OR IN ENCLOSED, POORLY VENTILATED AREAS WHERE FUMES MAY REACH AN OPEN FLAME, SPARK OR PILOT LIGHT AS ON A FURNACE, WATER HEATER, CLOTHES DRYER OR OTHER GAS APPLIANCE.**

It is important to prevent gum deposits from forming in essential fuel system parts such as the carburetor, fuel filter, fuel hose or tank during storage. Also, experience indicates that alcohol-blended fuels (called "gasohol" or using ethanol or methanol) can attract moisture which leads to separation and formation of acids during storage. Acidic gas can damage the fuel system of an engine while in storage.

To avoid engine problems, the fuel system should be emptied before storage of 30 days or longer. Follow these instructions:

**Drain Fuel System:** Remove all gasoline from carburetor and fuel tank to prevent gum deposits from forming on these parts and causing possible malfunction of engine.



**WARNING: DRAIN FUEL INTO APPROVED CONTAINER OUTDOORS, AWAY FROM OPEN FLAME. BE SURE ENGINE IS COOL. DO NOT SMOKE.**

- If you did use "gasohol", run engine until engine stops from lack of fuel. Make sure you have water supply to pump inlet connected and turned ON.
- Fuel stabilizer (such as STA-BIL<sup>®</sup>) is an acceptable alternative in minimizing fuel gum deposits during storage.

**Change Oil:** While engine is still warm, drain oil from crankcase. Refill with recommended grade.

**Oil Cylinder Bore:** Remove spark plug and pour about 1/2 ounce (15ml) of engine oil into the cylinder. Cover spark plug hole with rag. Crank slowly to distribute oil.



**CAUTION! AVOID SPRAY FROM SPARK PLUG HOLE WHEN CRANKING ENGINE SLOWLY.**

- Install spark plug. Do not connect spark plug wire.

## OTHER

- Do not store gasoline from one season to another.
- Replace your gasoline can if your can starts to rust. Rust and/or dirt in your gasoline will cause problems.
- If possible, store your unit indoors and cover it to give protection from dust and dirt.
- Cover you unit with a suitable protective cover that does not retain moisture. Do not use plastic. Plastic does not breathe, which allows condensation to form and will cause your unit to rust.

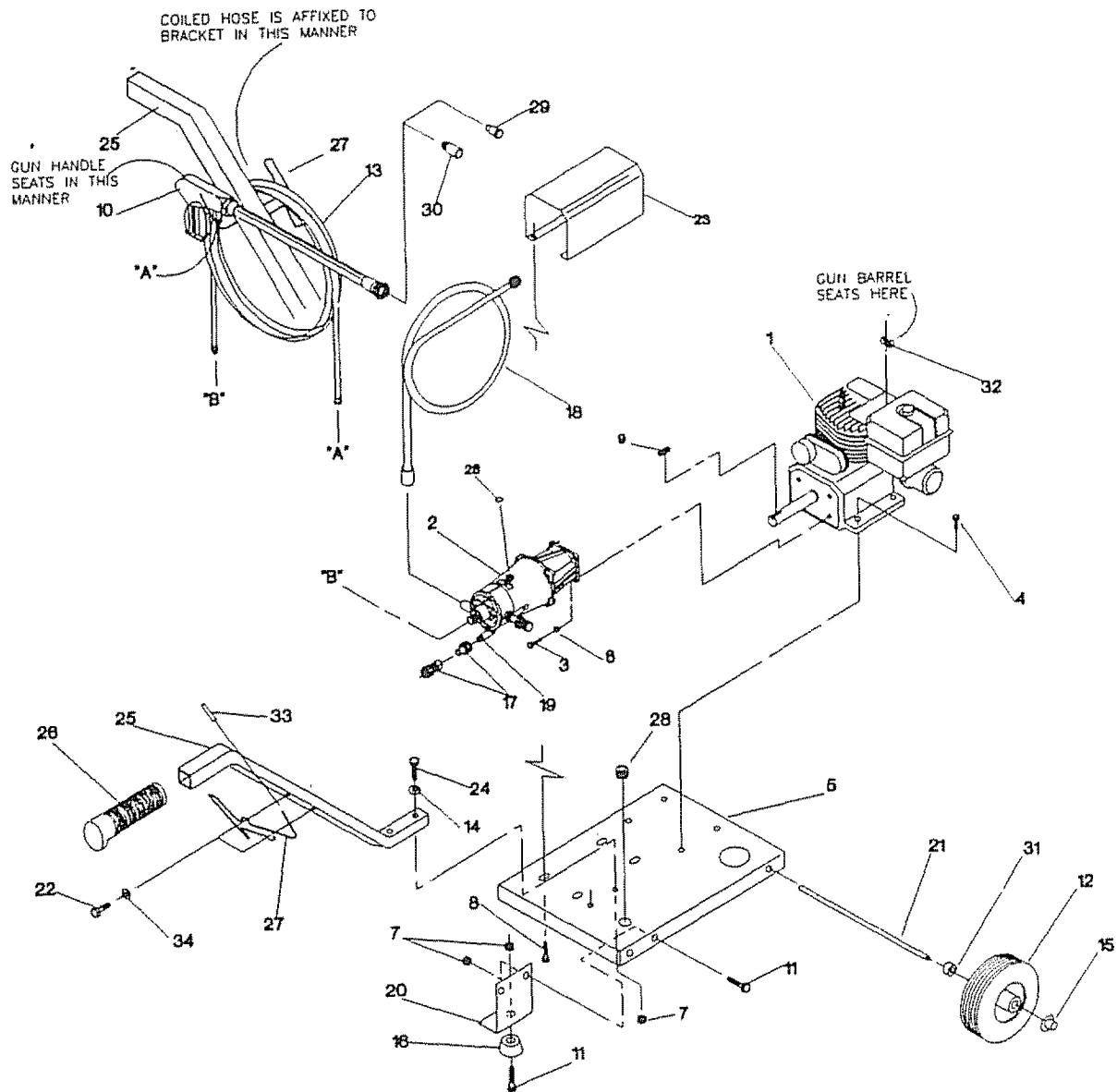
**IMPORTANT: NEVER COVER YOUR PRESSURE WASHER WHILE ENGINE AND EXHAUST AREAS ARE WARM.**

# TROUBLESHOOTING

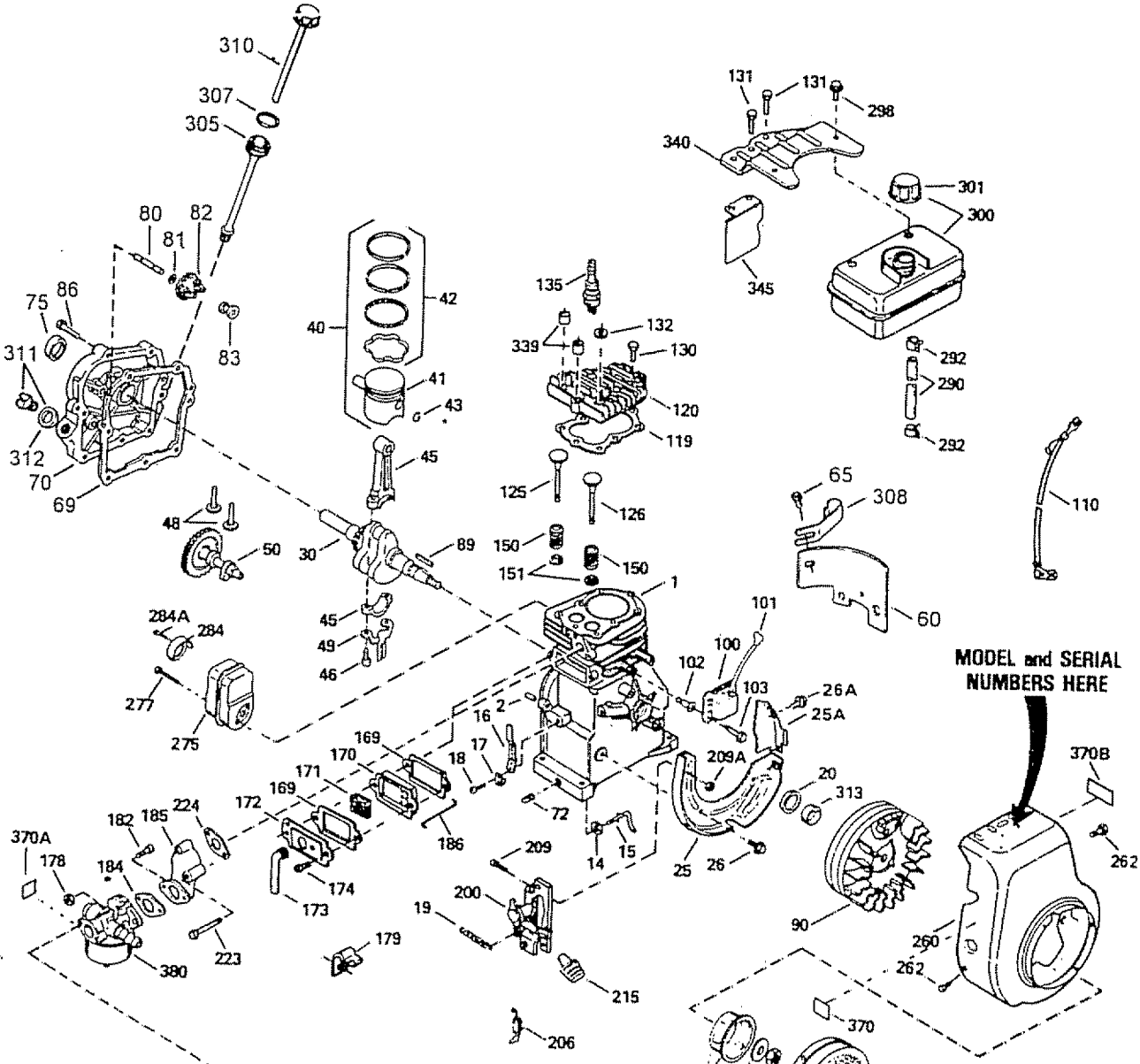
PROBLEM	CAUSE	CORRECTION
Pump has the following problems: failure to produce pressure, erratic pressure, chattering, loss of pressure, low water volume.	<ol style="list-style-type: none"> <li>1. Low regulator pressure</li> <li>2. Water inlet is blocked.</li> <li>3. Inadequate water supply</li> <li>4. Inlet hose is kinked or leaking</li> <li>5. Clogged inlet hose strainer.</li> <li>6. Detergent line is not submerged.</li> <li>7. Water supply is over 140°F.</li> <li>8. Outlet hose is blocked or leaks.</li> <li>9. Gun leaks.</li> <li>10. Nozzle is obstructed.</li> <li>11. Pump is faulty.</li> </ol>	<ol style="list-style-type: none"> <li>1. Adjust regulator to desired setting.</li> <li>2. Clear inlet</li> <li>3. Provide adequate water flow.</li> <li>4. Straighten inlet hose, patch leak.</li> <li>5. Check and clean inlet hose strainer.</li> <li>6. Submerge detergent line.</li> <li>7. Provide cooler water supply.</li> <li>8. Clear blocks in outlet hose.</li> <li>9. Replace gun.</li> <li>10. Clear nozzle.</li> <li>11. Contact Sears Service Department</li> </ol>
Detergent fails to mix with spray.	<ol style="list-style-type: none"> <li>1. Detergent line is not submerged.</li> <li>2. Chemical filter is clogged.</li> <li>3. Nozzle is in high pressure setting.</li> </ol>	<ol style="list-style-type: none"> <li>1. Insert chemical line into detergent.</li> <li>2. Clean or replace filter/detergent line.</li> <li>3. Set nozzle to low pressure.</li> </ol>
Engine runs good at no-load but "bogs"	Engine speed is too slow.	Contact Sears Service Department.
Engine will not start; or starts and runs rough	<ol style="list-style-type: none"> <li>1. Dirty air cleaner</li> <li>2. Out of gasoline.</li> <li>3. Stale gasoline.</li> <li>4. Spark plug wire not connected to spark plug.</li> <li>5. Bad spark plug.</li> <li>6. Water in gasoline.</li> <li>7. Overchoking.</li> <li>8. Excessively rich fuel mixture.</li> <li>9. Intake valve stuck open or closed.</li> <li>10. Engine has lost compression.</li> </ol>	<ol style="list-style-type: none"> <li>1. Clean or replace air cleaner.</li> <li>2. Fill fuel tank.</li> <li>3. Drain gas tank; fill with fresh fuel.</li> <li>4. Connect wire to spark plug</li> <li>5. Replace spark plug.</li> <li>6. Drain gas tank; fill with fresh fuel.</li> <li>7. Open choke fully and crank engine.</li> <li>8. Contact Sears Service Department.</li> <li>9. Contact Sears Service Department.</li> <li>10. Contact Sears Service Department.</li> </ol>
Engine shuts down during operation	<ol style="list-style-type: none"> <li>1. Out of gasoline.</li> <li>2. Low oil level.</li> </ol>	<ol style="list-style-type: none"> <li>1. Fill fuel tank.</li> <li>2. Fill crankcase to proper level.</li> </ol>
Engine lacks power.	Dirty air filter.	Replace air filter.
Engine "hunts" or falters.	<ol style="list-style-type: none"> <li>1. Choke is opened too soon.</li> <li>2. Carburetor is running too rich or too lean.</li> </ol>	<ol style="list-style-type: none"> <li>1. Move choke to halfway position until engine runs smoothly.</li> <li>2. Adjust carburetor.</li> </ol>

CRAFTSMAN 1400 PSI HIGH PRESSURE WASHER 580.741700

REPAIR PARTS



ITEM	PART NO.	DESCRIPTION	ITEM	PART NO.	DESCRIPTION
1	91122	3 H.P. Tecumseh Engine (1 REQ.)	18	89800	Injector Tube and Filter (1 REQ.)
2	87627	2 GPM Pump (1 REQ.)	19	90065	Plastic Garden Hose Neck (1 REQ.)
3	22147	5/16"-24 x 1" Capscrew (4 REQ.)	20	91092	Support Leg (2 REQ.)
4	39414	M8 x 35mm Capscrew (4 REQ.)	21	91096	Zinc Axle (1 REQ.)
5	91091	Mounting Plate (1 REQ.)	22	86292	#10 Self-drilling Screw (3 REQ.)
6	22129	M8 Lock Washer (4 REQ.)	23	88618	Pump Shroud (1 REQ.)
7	52858	M8-1.25 Flange Nut (12 REQ.)	24	57821	M8-1.25 x 40m Capscrew (2 REQ.)
8	70116	M5-0.8 x 12mm Screw with lockwasher (4 REQ.)	25	91093	Guide Handle (1 REQ.)
9	89314	3/16" sq. x 1-7/8" Key (1 REQ.)	26	77584	Handle Grip (1 REQ.)
10	91104	Spray Gun Assembly (1 REQ.)	27	92029	Gun and Hose Holder (1 REQ.)
11	39253	M8-1.25 x 20mm Capscrew (6 REQ.)	28	92235	Nozzle Grommet (1 REQ.)
12	91094	Wheel (2 REQ.)	29	91106	Turbo Head (1 REQ.)
13	91629	Hose Assembly (1 REQ.)	30	91107	Hi-Lo Adjustable Head (1 REQ.)
14	50190	M8 Flat Washers (2 REQ.)	31	92272	Wheel Spacer (2 REQ.)
15	75402	1/2" Push Nut (2 REQ.)	32	65852	Spring Clip (1 REQ.)
16	87841	Shock Mount (2 REQ.)	33	92067	Vinyl Cap (1 REQ.)
17	91129	Hose Quick Disconnect (1 REQ.)	34	22473	M6 Flat Washer (2 REQ.)
			—	88601	Owner's Manual (1 REQ.) [not shown]



MODEL and SERIAL NUMBERS HERE

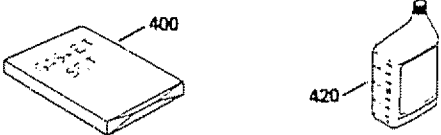
**OPTIONAL SPARK ARRESTOR**

To install Spark Arrestor:  
 Remove screw and deflector (Items 284 and 284A). See parts list for part numbers.

Install spark arrestor screen and cover (Item 416) with optional screw (Item 62).

**416**

IMPORATANT: You cannot reinstall the deflector after you have installed the spark arrestor.

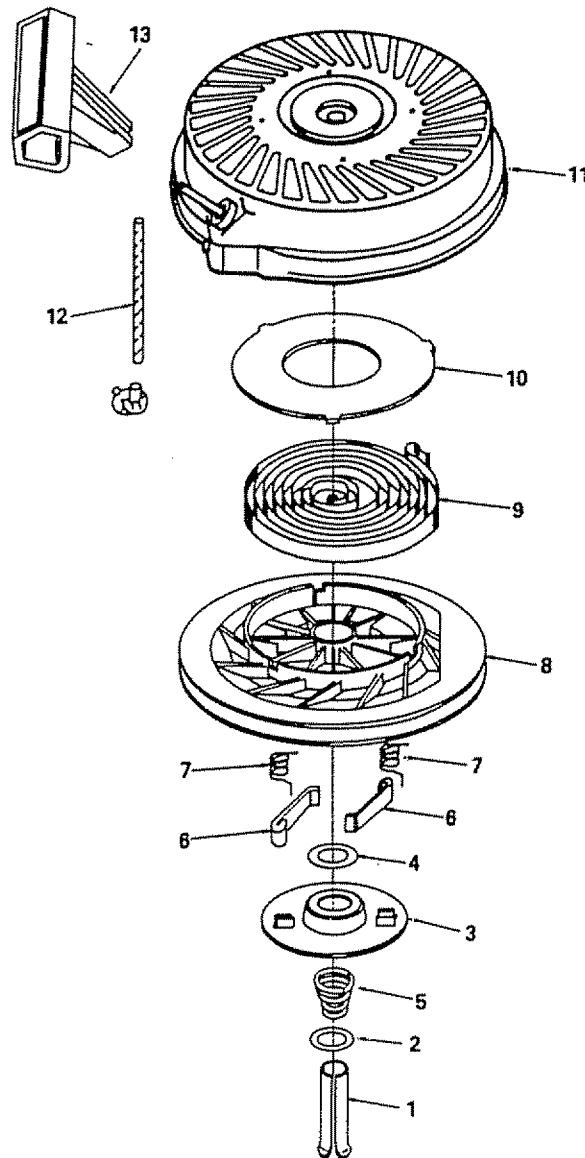




CRAFTSMAN 4-CYCLE ENGINE 143.943009

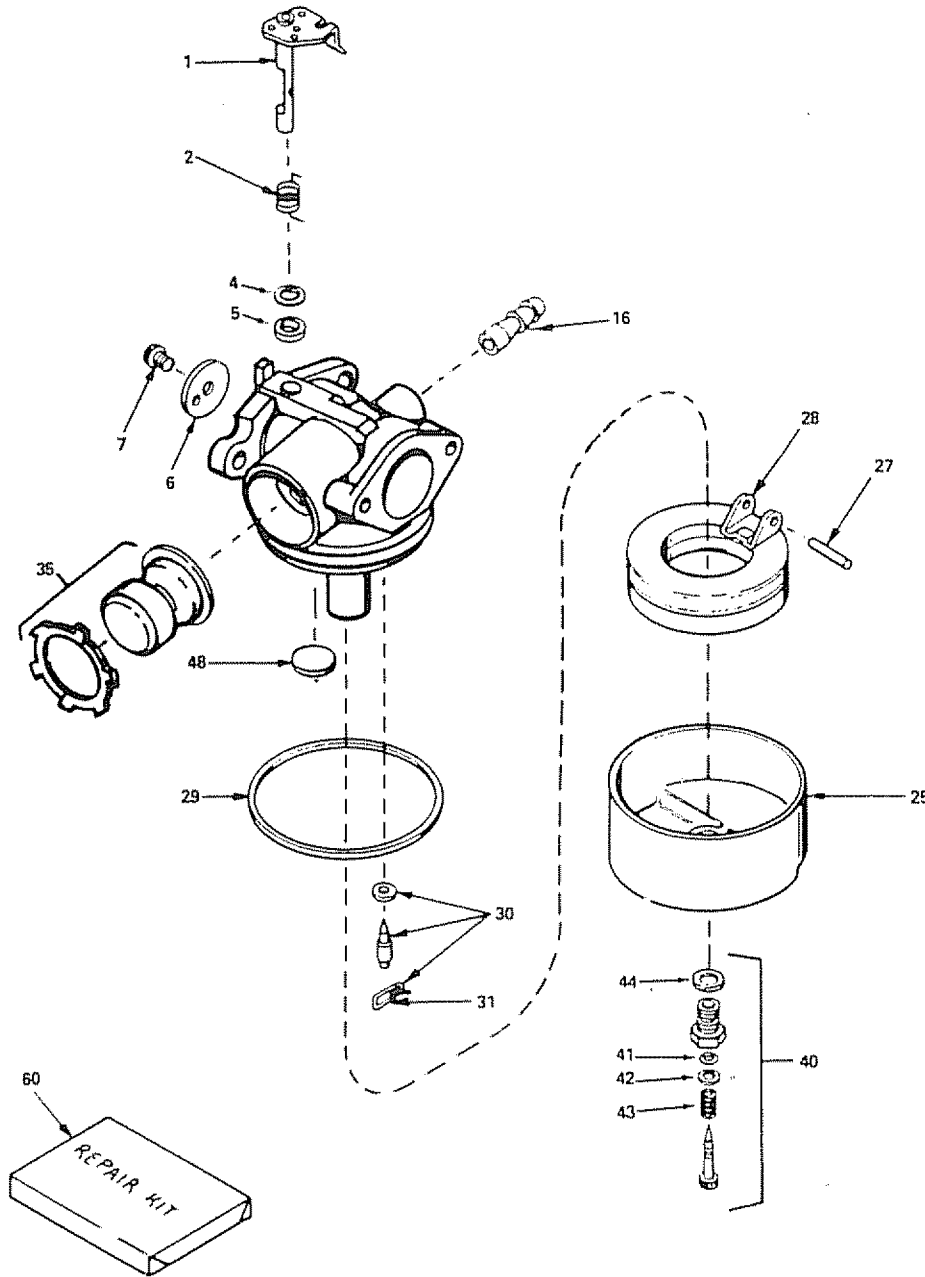
REPAIR PARTS

ITEM	PART NO.	DESCRIPTION	ITEM	PART NO.	DESCRIPTION
1	34708A	Cylinder (includes 2, 20 & 72) [1 req.]	150	31672	Valve Spring (2 req.)
2	26727	Dowel Pin (2 req.)	151	31673	Lower Valve Spring Cap (2 req.)
14	28277	Washer (1 req.)	169	*27234A	Breather Gasket (2 req.)
15	31334	Governor Rod Assy.	170	27666	Breather Body (1 req.)
16	31336	Governor Lever (1 req.)	171	31410	Breather Element (1 req.)
17	31335	Governor Lever Clamp (1 req.)	172	34146	Breather Cover (1 req.)
18	650548	No. 8-32 x 5/16" Hex Screw (1 req.)	173	35350	Breather Tube (1 req.)
19	34953	Extension Spring (1 req.)	174	30200	No. 10-24 x 9/16" Screw (2 req.)
20	32600	Oil Seal (1 req.)	178	29752	1/4-28 Lock Nut (2 req.)
25	33342	Blower Housing Baffle (1 req.)	179	30593	Retainer Clip (1 req.)
25A	35883	Baffle Extension (1 req.)	182	6201	1/4-28 x 7/8" Screw (2 req.)
26	650802	1/4-20 x 5/8" Screw (2 req.)	184	31688A	Carburetor Gasket (1 req.)
26A	650926	#8-32 X 21/64" Screw (1 REQ.)	185	34597	Intake Pipe (1 req.)
40	34514	Piston, Pin & Ring Assy. (STD.)	186	31341	Governor Link (1 req.)
	34515	Piston, Pin & Ring Assy. (0.01 O.S.)	200	33858A	Control Bracket Assembly (1 req.)
	34516	Piston, Pin & Ring Assy. (0.02 O.S.)	206	610973	Terminal Assembly (1 req.)
41	32538B	Piston & Pin Assy. (STD.)	209	650139	No. 8-32 x 1/2" Screw (2 req.)
	32548B	Piston & Pin Assy. (0.01 O.S.)	209A	30322	No. 8-32 Lock Nut (2 req.)
	32549B	Piston & Pin Assy. (0.02 O.S.)	215	32410	Control Knob (1 req.)
42	28986	Piston Ring Set (STD.)	223	650451	5/16-18 x 1" Screw (2 req.)
	28987	Piston Ring Set (0.01 O.S.)	224	32649A	Intake Pipe Gasket (1 req.)
	28988	Piston Ring Set (0.02 O.S.)	238	650152	No. 10-32 x 3/8" Screw (2 req.)
43	20381	Piston Pin Retaining Ring (1 req.)	239	27272A	Air Cleaner Gasket (1 req.)
45	30963B	Connecting Rod Assy. (1 req.)	241	33266	Air Cleaner Bracket (1 req.)
46	32610A	Connecting Rod Bolt (1 req.)	242	31914	Air Cleaner Bracket (1 req.)
48	27241	Valve Lifter (1 req.)	243	28820	No. 10-32 x 1/2" Screw (2 req.)
49	28594	Oil Dipper (1 req.)	245	30727	Air Cleaner Element (1 req.)
50	33149A	Camshaft [BCR] (1 req.)	250	31715	Air Cleaner Cover (1 req.)
60	29745	Blower Housing Ext. (1 req.)	260	35585	Blower Housing (1 req.)
62	650760	Screw [optional] (1 req.)	262	29212	1/4-28 x 7/16" Screw (2 req.)
65	650128	No. 10-24 x 1/2" Screw (1 req.)	275	36493	Muffler (1 req.)
66	650738	1/4-20 x 5/8" Screw (1 req.)	277	650988	1/4-20 x 2-5/16" Screw (2 req.)
69	27677A	Cylinder Cover Gasket (1 req.)	284	34422	Muffler Deflector (1 req.)
70	34683A	Cylinder Cover Assy. (1 req.)	284A	650760	No. 8-32 x 3/8" Screw (1 req.)
72	27642	Oil Drain Plug (2 req.)	285	34694	Starter Hub (1 req.)
75	26208	Oil Seal (1 req.)	287	650926	No. 8-32 x 21/64" Screw (2 req.)
80	30574A	Governor Shaft (1 req.)	290	29774	Fuel Line (1 req.)
81	30590A	Flat Washer (1 req.)	292	26460	Fuel Line Clamp (1 req.)
82	30591	Governor Gear (1 req., incl. No. 81)	298	650665	1/4-15 x 7/8" Screw (2 req.)
83	30588A	Governor Spool (1 req.)	300	35591	Fuel Tank (incl. 292 & 301)
86	650488	1/4-20 x 1-1/4" Screw (7 req.)	301	35355	Fuel Cap (1 req.)
89	32589	Flywheel Key (1 req.)	305	35554	Oil Fill Tube
90	611080	Flywheel (1 req.)	307	35499	"O" Ring (1 req.)
92	650815	Belleville Washer (1 req.)	308	35539	Fill Tube Clip (1 req.)
93	650816	Flywheel Nut (1 req.)	310	35556	Oil Dipstick (1 req., incl. #306)
100	34443B	Solid State Assembly (1 req.)	311	27625	Oil Fill Plug (incl. 312)
101	61011B	Spark Plug Cover (1 req.)	312	26973	Oil Fill Plug Gasket (1 PK)
102	650872	Solid State Mounting Stud (2 req.)	313	34080	Spacer (1 req.)
103	650814	No. 10-24 x 1" Torx Screw (2 req.)	327	35392	Starter Plug (1 req.)
110	35182	Ground Wire	339	28212	Spacer (2 req.)
119	36437	Cylinder Head Gasket (1 req.)	340	35926	Fuel Tank Bracket (1 req.)
120	36438	Cylinder Head (1 req.)	342	650751	1/4-20 x 7/16" T-30 Torx Screw (4 req.)
125	29313C	Std. Exhaust Valve (1 req.)	345	32664	Heat Baffle (1 req.)
	29315C	O.S. Exhaust Valve (1 req.)	370	33107	Instruction Decal (1 req.)
126	29314B	Std. Intake Valve (1 req.)	370A	36260	Primer Decal (1 req.)
	29315C	O.S. Intake Valve (1 req.)	370B	34346	Lubrication Decal (1 req.)
130	6021A	5/16-18 x 1-1/2" Flange Screw (1 req.)	380	632589	Carburetor [incl. No. 184] (1 req.)
131	650694A	5/16-18 x 2" Screw (7 req.)	390	590688	Rewind Starter (1 req.)
132	650708	Washer (1 req.)	400	36439	Gasket Set [items marked *] (1 req.)
135	33636	Spark Plug [RJ-17LM] (1 req.)	416	36085	Spark Arresting Screen and Cover [optional] (1 req.)
			420	730225	SAE30 4-cycle Engine Oil (quart)



*Rewind Starter No. 590688*

ITEM	PART NO.	DESCRIPTION
1	590599A	PIN, SPRING [included No. 4] (1 REQ.)
2	590600	WASHER (1 REQ.)
3	590615	RETAINER (1 REQ.)
4	590601	WASHER (1 REQ.)
5	590598	SPRING, BRAKE (1 REQ.)
6	590616	DOG, STARTER (2 REQ.)
7	590617	SPRING, DOG (2 REQ.)
8	590618A	PULLEY AND REWIND SPRING ASSEMBLY (1 REQ.)
9	590619	REWIND SPRING (1 REQ.)
10	590620	SPRING COVER (1 REQ.)
11	590687	HOUSING ASSEMBLY, STARTER (1 REQ.)
12	590535	ROPE, STARTER [length 114" & 11/64" dia.] (1 REQ.)
13	590701	HANDLE ASSEMBLY, STARTER (1 REQ.)



Carburetor No. 632589

ITEM	PART NO.	DESCRIPTION	ITEM	PART NO.	DESCRIPTION
1	631615	Throttle Shaft and Lever Assembly (1 req.)	31	631022	Spring Clip (1 req.)
2	631767	Throttle Return Spring (1 req.)	35	36045	Primer Bulb/retainer Ring (1 req.)
4	631184	Dust Seal Washer (1 req.)	35A	632647	Primer Bulb Filter (1 req.)
5	631183	Dust Seal [throttle] (1 req.)	40	*632591	Main Adjustment Screw (1 req.)
6	632590	Throttle Shutter (1 req.)	41	*630740	*O* Ring, High Speed Mixture Screw (1 req.)
7	650506	Shutter Screw (1 req.)	42	630739	Washer, High Speed Mixture Screw (1 req.)
16	632164	Fuel Fitting (1 req.)	43	630738	Tension Spring, High Speed Mixture Screw (1 req.)
25	631867	Float Bowl (1 req.)	44	*27110	Bowl Nut Washer (1 req.)
27	*631024	Shaft, Float (1 req.)	48	*631027	Welch Plug, Atmospheric Vent (1 req.)
28	632019	Float (1 req.)	60	632592	Repair Kit [incl. Items Marked *] (1 req.)
29	*631028	*O* Ring, Float Bowl-to-body (1 req.)			
30	*631021	Inlet Needle, Seat & Spring Clip [incl. No. 31] (1 req.)			

# SEARS

## OWNER'S MANUAL

**MODEL NO.**

**580.741700**

### IF YOU NEED REPAIR SERVICE OR PARTS

FOR REPAIR SERVICE CALL  
THIS TOLL FREE NUMBER

**1-800-4•REPAIR**

(1-800-473-7247)

FOR REPLACEMENT PARTS  
INFORMATION AND ORDER-  
ING, CALL THIS TOLL FREE  
NUMBER:

**1-800-FON-PART**

(1-800-366-7278)

# CRAFTSMAN

**3 HORSEPOWER**

**1400 PSI**

**HIGH PRESSURE WASHER**

Each High Pressure Washer has its own model number. Each engine has its own model number.

The model number for your pressure washer will be found on a decal attached to the unit.

The model number for the engine will be found on the Blower Housing of the engine adjacent to the spark plug.

All parts listed herein may be ordered through Sears, Roebuck and Co. Service Centers and most Retail Stores.

**WHEN ORDERING REPAIR PARTS, ALWAYS GIVE THE FOLLOWING INFORMATION:**

- **PRODUCT — HIGH PRESSURE WASHER**
- **MODEL NUMBER — 580.747100**
- **ENGINE PART NO. — 143.943009**
- **PART NUMBER**
- **PART DESCRIPTION**

Your Sears merchandise has added value when you consider that Sears has service units nationwide staffed with Sears trained technicians....professional technicians specifically trained on Sears products, having the parts, tools and the equipment to ensure that we meet our pledge to you, we service what we sell.

---

**SEARS, ROEBUCK and CO., Hoffman Estates, IL 60179 U.S.A.**

---

# SEARS MANUAL DEL USARIO

MODELO NO.

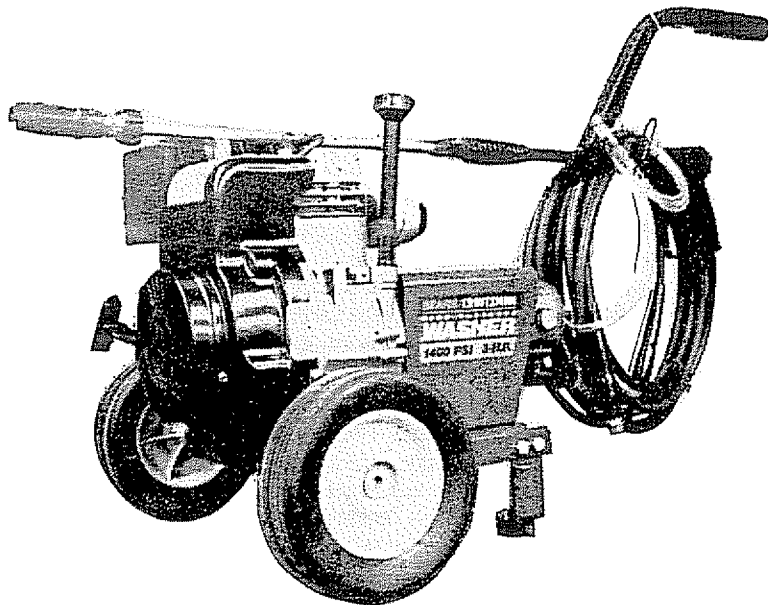
580.741700

LÍNEA DE ASISTENCIA  
CLIENTE  
MAQUINA LAVADORA DE  
ALTA PRESION  
1-800-222-3136

LÍNEA DE ASISTENCIA HORAS  
DE OPERACION  
MON.-FRI. 8 AM - 5 PM (CST)

**AVISO:**

Lea y Siga todas  
las Normas de Seguridad  
e instrucciones Antes  
de Operar Este Equipo



## CRAFTSMAN<sup>®</sup>

### MAQUINA LAVADORA DE ALTA PRESION

1400 PSI

3 CABALLOS DE FUERZA

- Montaje
- Operación
- Responsabilidades del Cliente
- Servicio y Ajuste
- Repuestos

SEARS, ROEBUCK and CO., Hoffman Estates, IL 60179 U.S.A.

# REGLAS DE SEGURIDAD



**AVISO: MANTENGA SIEMPRE DESCONECTADO EL CABLE DE LA BUJIA Y COLOQUELO DONDE NO PUEDA TOCAR LA BUJIA, ESTO EVITARA QUE LA UNIDAD SE ENCIENDA ACCIDENTALMENTE CUANDO LA ESTE INSTALANDO, TRANSPORTANDO, AJUSTANDO O REPARANDO.**

## PRECAUCIONES:

- Los gases de escape del motor contienen gas de monóxido de carbono **LETAL**. Este gas peligroso inhalado en ciertas concentraciones puede causar pérdida del conocimiento e incluso la muerte. Opere este equipo solo al aire libre donde exista ventilación adecuada.
- La gasolina es altamente **INFLAMABLE** y sus vapores son **EXPLOSIVOS**. No permita que se fume, llamas abiertas, chispas o calor en los sitios cercanos mientras este manejando la gasolina. Evite derramar la gasolina sobre el motor cuando esta caliente. Permita que la unidad se enfríe por 2 minutos antes de rellenarla. Cumpla con todas las normas regulatorias para el almacenaje y el uso de la gasolina.
- Sitúe esta máquina lavadora de presión en áreas lejanas a materiales combustibles, vapores combustibles o polvo.
- El equipo de alta presión esta diseñado para ser utilizado únicamente con partes autorizadas por Sears. El usuario asume todos los riesgos y responsabilidades si utiliza este equipo con partes que no cumplan con las especificaciones mínimas y los dispositivos de seguridad de uso del equipo.
- Algunos productos químicos o detergentes pueden ser peligrosos si son inhalados o ingeridos, causando náusea severa, pérdida de la conciencia o envenenamiento. Estos elementos de peligro pueden causar daño a la propiedad y lesión severa.
- No permita que **NIÑOS** operen la Máquina Lavadora de Presión en ningún momento.

## PREPARACION:

- Opere el motor únicamente a la velocidad indicada. El hacer funcionar el motor a velocidades excesivas incrementa el riesgo de lesión personal. No modifique otras piezas del motor que pudieran incrementar o disminuir la velocidad indicada.
- No use ropas sueltas, joyería o cualquier cosa que pueda quedarse atrapada en el arranque o en otros rotores.
- Antes de encender la Máquina Lavadora de Presión en clima frío, revise todas las partes del equipo y asegúrese de que no se ha formado hielo.
- Las unidades con partes rotas o perdidas, o sin caja de protección o cubiertas **NUNCA** deben ser operadas.
- El silenciador y el depurador de aire deben ser instalados y en buenas condiciones antes de operar la Máquina Lavadora de Presión. Estos componentes actúan como atrapa chispas si el motor petardea.
- Revise que el sistema de combustible no tenga fugas o signos de deterioro como una manguera desgastada o esponjosa, abrazaderas sueltas o perdidas o daño en el tanque o la tapa. Corrija todos los defectos antes de operar la Máquina Lavadora de Presión.

## OPERACION:

- No rocíe líquidos inflamables.
- Nunca dirija la pistola hacia personas, animales o plantas.
- No permita que ninguna parte entre en contacto con la corriente de fluido. **NO** entre en contacto con la corriente de fluido creada por una fuga en la manguera de alta presión.
- La corriente de alta presión de fluido que puede producir este equipo puede penetrar la piel y sus tejidos profundos, conllevando a lesiones serias y posible amputación.

- El rociado de alta presión puede causar que partículas de pintura u otras partículas sean aerotransportadas y viajen a altas velocidades.
- Siempre use protección ocular cuando utilice este equipo o cuando este próximo al sitio de utilización del equipo.
- Nunca utilice una presión superior a la presión de fluido PSI clasificada para su máquina lavadora de presión.
- Nunca mueva la máquina tirando de la manguera de alta presión. Utilice el asa que se encuentra en la parte superior de la unidad.
- Asegúrese siempre de que la pistola de rociado, boquillas y accesorios estén correctamente conectados.
- Nunca utilice una pistola de rociado que no tenga un seguro para el gatillo, o un protector para el gatillo colocado y en buen funcionamiento.
- Utilice un respirador o una máscara siempre que exista el riesgo de inhalar vapores. Lea todas las instrucciones de la máscara de manera que usted se pueda asegurar de que la máscara le dará la protección necesaria en contra de la inhalación de vapores peligrosos.
- El rociado de alta presión puede dañar los elementos frágiles, incluyendo el vidrio. No apunte la pistola de rociado hacia el vidrio cuando esté usando el rociado a chorro.
- Mantenga la manguera conectada a la máquina o la pistola de rociado mientras el sistema esta siendo presurizado. Desconectar la manguera mientras está siendo presurizada es peligroso.
- Sostenga la pistola de rociado firmemente en su mano antes de encender la unidad. De no hacerlo así la pistola podría producir un latigazo provocando lesiones al usuario. No deje la pistola de rociado desatendida mientras la máquina está funcionando.
- El área de limpieza debe tener inclinaciones y drenajes apropiados para reducir la posibilidad de una caída a causa de una superficie resbalosa.
- Mantenga el rociado del agua lejos de instalaciones eléctricas porque podría ocasionar una descarga eléctrica fatal.
- No ajuste la válvula de descarga a una presión excesiva con respecto a la clasificación de la máquina.
- No asegure el gatillo de la pistola en posición trasera (abierta).
- No pase por alto ningún dispositivo de seguridad en esta máquina.
- No deje el gatillo cerrado por más de 5 minutos con el motor en funcionamiento. Esto podría dañar la bomba.
- El silenciador y el motor se calientan durante la operación y permanecen calientes inmediatamente después del apagado. Evite el contacto con un silenciador o motor caliente o podría resultar en quemaduras severas.

## MANTENIMIENTO Y ALMACENAJE:

- Opere y almacene esta unidad sobre una superficie estable.
- La manguera de alta presión puede desarrollar fugas por el desgaste, entroscamiento, abuso, etc. El agua rociada de una fuga es capaz de introducir material dentro de la piel. Inspeccione la manguera cada vez antes de utilizarla. Revise todas las mangueras y observe si existen cortes, fugas, abrasiones o protuberancias de la cubierta, o daño o movimiento de los acoplamientos. Reemplace inmediatamente la manguera si existe cualquiera de estas condiciones. Nunca intente reparar la manguera de alta presión. Reemplácela con otra manguera que reúna las clasificaciones de presión mínimas de su máquina lavadora de presión.



**BUSQUE ESTE SIMBOLO PARA SEÑALAR IMPORTANTES PRECAUCIONES DE SEGURIDAD. ESTO SIGNIFICA "¡ATENCIÓN!!! ¡MANTENGASE ALERTA!!! SU SEGURIDAD ESTA EN PELIGRO."**

**FELICITACIONES** por su compra de la máquina lavadora de alta presión Sears Craftsman. Esta ha sido diseñada, planeada y fabricada para proporcionarle la mejor confiabilidad y desempeño posible

Si tiene cualquier clase de problema que no pueda resolver fácilmente, por favor contacte su Centro/Departamento de Servicio Sears más cercano. Contamos con técnicos competentes y bien entrenados y con las herramientas apropiadas para servir o reparar esta unidad

Por favor lea y conserve este manual. Las instrucciones le capacitarán para montar y mantener su generador apropiadamente. Siempre observe las "REGLAS DE SEGURIDAD"

## ESPECIFICACIONES DEL PRODUCTO

### Especificaciones de la Máquina Lavadora de Presión

PRESION DE SALIDA	1400psi
COEFICIENTE DE FLUJO	7,5 lpm
MEZCLA DE DETERGENTE	Utilice detergente sin diluir
TEMPERATURA DEL SUMINISTRO DE AGUA	No exceder los 55c
ALTURA DE SUCCION	90 cm. máximo

### Especificaciones del Motor

CABALLOS DE FUERZA NORMAL	3 HP
DESPLAZAMIENTO	9.06 pulgadas. cua. (148cc)
BUJIA: Tipo:	Champion J-8C o su equivalente
Espacio establecido a	0.030 pulgadas (0.76mm)
CAPACIDAD DE GASOLINA	1 litro aprox.
ACEITE (600 ml. de capacidad)	Peso SAE 30
ESPACIO DE AIRE DE IGNICION TRANSISTORIZADO	32 mm

NUMERO DEL

MODELO 580.741700

NUMERO DE

SERIE \_\_\_\_\_

FECHA DE

COMPRA \_\_\_\_\_

LOS NUMERO DEL MODELO Y DE SERIE SE ENCUENTRAN EN UNA ETIQUETA ADHERIDA A LA MAQUINA LAVADORA.

USTED DEBE ARCHIVAR TANTO EL NUMERO DE SERIE COMO LA FECHA DE COMPRA Y MANTENERLOS EN UN LUGAR SEGURO PARA FUTURAS REFERENCIAS.

## ACUERDO DE MANTENIMIENTO

Se encuentra disponible un Acuerdo de Mantenimiento en este producto. Contacte su tienda Sears más cercana para detalles.

## RESPONSABILIDADES DEL CLIENTE

- Lea y observe las reglas de seguridad.
- Siga una programación periódica en el mantenimiento, cuidado y uso de su máquina lavadora de alta presión.
- Siga las instrucciones que se encuentran bajo las secciones "Responsabilidades del Cliente" y "Almacenaje" de este Manual del Usuario.

Es requerido por la ley un contra chispas en el Estado de California (Sección 4442 del Código de Recursos Públicos de California). Otros estados pueden tener leyes similares. Las leyes federales se aplican a los terrenos federales.

## GARANTIA LIMITADA A UN AÑO DE LA MAQUINA LAVADORA DE ALTA PRESION CRAFTSMAN

Por un año a partir de la fecha de compra, siempre y cuando esta Máquina Lavadora de Alta Presión sea mantenida y operada de acuerdo a las instrucciones del manual del propietario, Sears reparará, sin ningún cargo, cualquier defecto en los materiales y la mano de obra.

Esta garantía se aplicará solo por 90 días si la Máquina Lavadora de Alta Presión es utilizada para propósitos comerciales o para ser alquilada

Esta garantía no cubre:

- Elementos deteriorables
- Reparaciones necesarias debido a abuso o negligencia del operador, incluyendo el eje de la manivela y el incorrecto mantenimiento del equipo por no seguir las instrucciones contenidas en el manual del usuario.

**EL SERVICIO DE GARANTIA ESTA DISPONIBLE DEVOLVIENDO LA MAQUINA LAVADORA DE ALTA PRESION AL CENTRO/DEPARTAMENTO DE SERVICIO SEARS MAS CERCANO EN CUALQUIER PARTE DE LOS ESTADOS UNIDOS.**

Esta garantía le otorga derechos legales y también podría tener derechos adicionales, los cuales pueden variar de estado a estado.

SEARS, ROEBUCK and CO., D/817 WA, Hoffman Estates, IL 60179

# TABLA DE CONTENIDOS

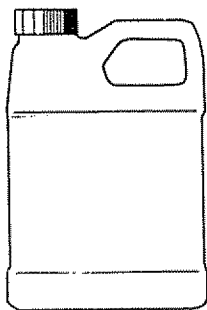
ACCESORIOS Y ADITAMENTOS .....	2	RESPONSABILIDADES DEL CLIENTE .....	11-12
REGLAS DE SEGURIDAD .....	3	SERVICIO Y AJUSTES .....	12
ESPECIFICACIONES DEL PRODUCTO .....	4	ALMACENAJE .....	13
CONTENIDO DE LA CAJA DE EMBALAJE .....	5	DIAGNOSTICO DE AVERIAS .....	14
MONTAJE .....	6	PIEZAS DE RECAMBIO .....	15-19
OPERACION .....	7-10		

## INDICE

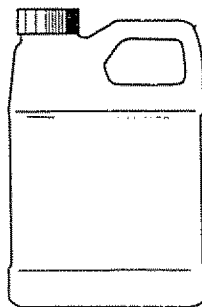
<b>- A -</b>	<b>- G -</b>	Utilización .....	8
Aceite, Motor .....	Garantía .....	<b>- P -</b>	
Almacenaje .....	4	Partes Sueltas .....	6
Antes de Iniciar .....	<b>- M -</b>	Preparación de la Máquina	
Aviso de Seguridad .....	Manguera de Alta Presión .....	Lavadora .....	6
<b>- B -</b>	Mantenimiento :	<b>- R -</b>	
Bomba de la Máquina Lavadora	Motor .....	Recomendaciones Generales .....	11
de Presión .....	Bomba .....	Regulador de Presión .....	7
<b>- C -</b>	Montaje :	Repuestos .....	15-19
Caja de Embalaje .....	Extrayéndola de la Caja .....	Responsabilidades del Cliente .....	11,12
Cambio de Aceite .....	Herramientas Necesarias .....	Revisión del Nivel de Aceite .....	11
Cambio de Bujía .....	Instalación .....	<b>- S -</b>	
Carburador .....	Motor .....	Servicio del Depurador de Aire .....	12
Conjunto Pistola y Dispositivo	<b>- O -</b>	Servicio y Ajustes .....	12
de Riego .....	Operación :	<b>- V -</b>	
<b>- D -</b>	Aplicación de Detergente .....	Velocidad del Motor .....	12
Depurador de Aire .....	Parado .....		
Diagnóstico de Averías .....	Encendido del Motor .....		
	Para Encender la Máquina Lavadora .....		

## ACCESORIOS Y ADITAMENTOS

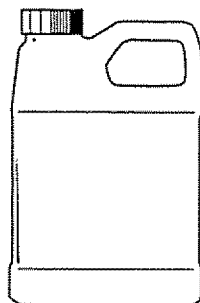
Estos accesorios y aditamentos estuvieron disponibles cuando fue comprada la máquina lavadora de alta presión. También se encuentran disponibles en la mayoría de puntos de venta al detal de Sears y centros de servicio. La mayoría de las tiendas Sears pueden ordenar estos elementos para usted cuando proporcione el número del modelo de su máquina lavadora de alta presión.



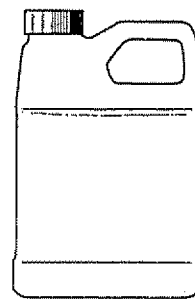
PARA LAVAR LA CASA  
74273



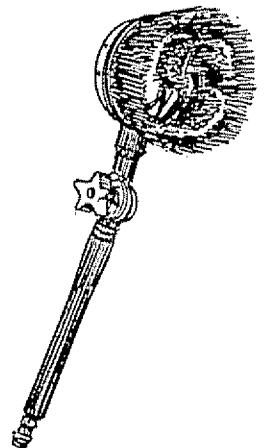
PARA LAVAR CUBIERTAS  
74274



PARA LAVAR VEHICULOS  
74275



PARA DESENGRASAR  
74276

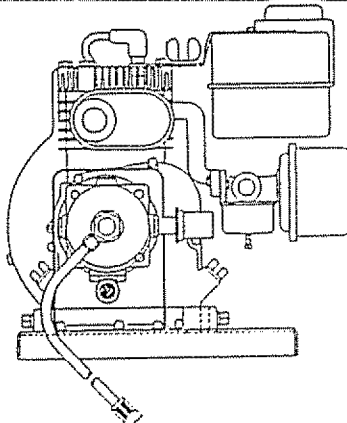


CEPILLO ROTATORIO  
74189

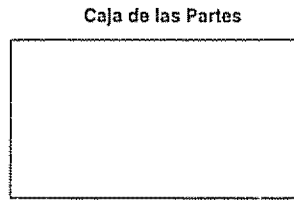


# CONTENDIO LA CAJA DE HERRAJE

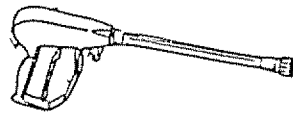
## Parts packed separately in carton



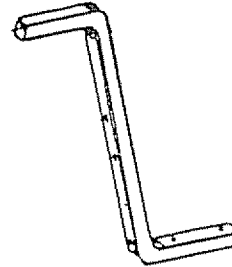
Unidad Principal



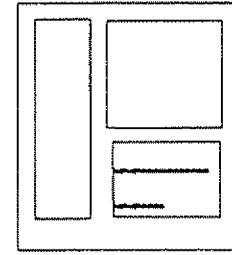
Caja de las Partes



Conjunto de Pistola y Dispositivo de Riego

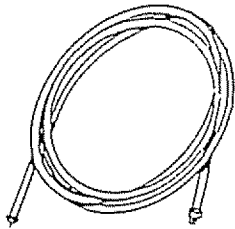


Asa



Manual de Usuario

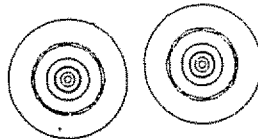
## Partes empaquetadas en la Caja de las Partes



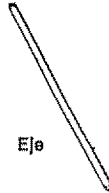
Manguera de Alta Presión



Asa de Sujeción



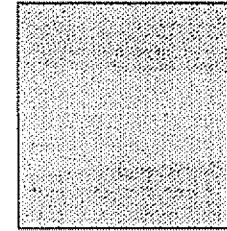
Ruedas



Eje

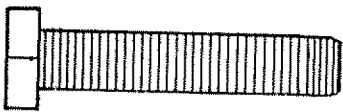


Aceite del Motor



Bolsa de las Partes

## Contenido de la Bolsa de las Partes mostrados en tamaño completo



(2) Tornillos de Presión de Cabeza Hexagonal - M8 x 40mm



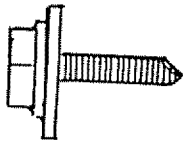
(2) Tuerca de Empuje - 1/2



(6) Tornillos de Presión de Cabeza Hexagonal - M8 x 20mm



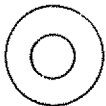
(6) Tuercas Dentadas - M8



(2) Tornillos de Presión Autorroscantes



(2) Arandelas - M8



(2) Arandelas - M6

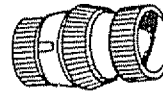


(2) Espaciadores

## Contenido de la Bolsa de las Partes no mostrados en tamaño completo



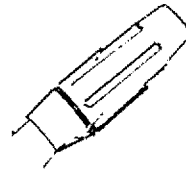
Tapa de Vinto



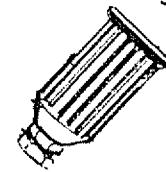
Conexión Rápida



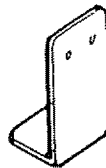
Soporte del Cable



Embocadura Regular



Embocadura Turbo



(2) Patas Soporte



(2) Montajes Antivibratorios

# MONTAJE

Lea estas instrucciones y el Manual del Operador en su totalidad antes de intentar montar u operar su nueva máquina lavadora de alta presión. Su máquina lavadora de alta presión ha sido montada casi en su totalidad en la fábrica, exceptuando aquellas partes dejadas sin montar. Antes que usted pueda operar su máquina lavadora de alta presión debe montar el juego de ruedas y conectar apropiadamente la manguera de alta presión.

## HERRAMIENTAS REQUERIDAS PARA EL MONTAJE

- Martillo
- Llave de cubo con Cubos de 1/2-pulgada o 13 mm
- Llaves Ajustables o Llaves de Combinación

## PARA EXTRAER LA MAQUINA LAVADORA DE PRESION DE LA CAJA

- Retirar la agarradera guía (envuelta en plástico).
- Retirar la caja de accesorios de la caja
- Retirar el grupo de piezas de la pistola y el dispositivo de riego del tablero portatarjetas
- Retirar todo el resto de material de empaque de la caja antes de retirar su máquina lavadora de alta presión

## COMO COLOCAR SU MAQUINA LAVADORA DE ALTA PRESION PARA INSTALAR EL JUEGO DE RUEDAS

Para la instalación del juego de ruedas se requieren las herramientas listadas anteriormente y los elementos incluidos en la caja de accesorios y el asa guía

- Con el martillo, golpee una tuerca de empuje en una terminación del eje
- Comenzando en la otra terminación del eje, deslizar una rueda (cubo salido posicionado hacia adentro) contra la tuerca de empuje, luego deslizar un espaciador (Fig. 1).
- Deslizar este conjunto de piezas a través del orificio de la base de la máquina lavadora de presión y adherir el espaciador de la rueda, la rueda (cubo salido posicionado hacia adentro) y la tuerca de empuje en la otra terminación del eje.

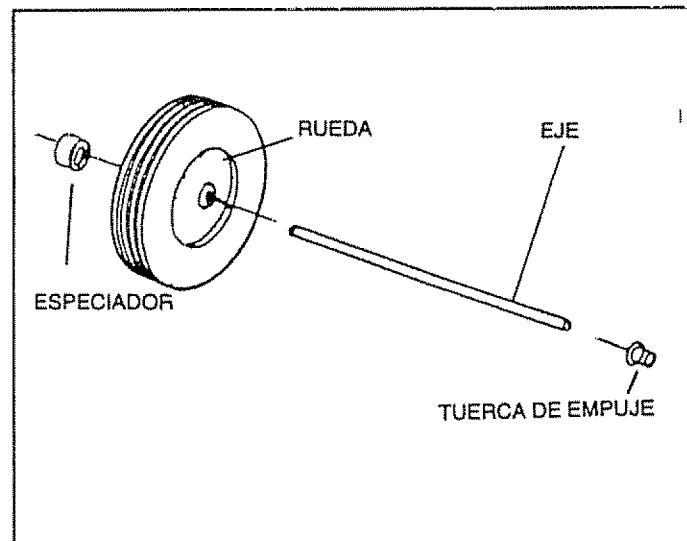


FIG. 1

- Montar los montajes amortiguadores a las patas de soporte con los tornillos de presión de cabeza hexagonal de M8-1 25 x 20mm y las contratuercas dentadas M8-1 25

- Unir las patas de soporte a la base como se muestra en la Fig. 2 con los tornillos de presión de cabeza hexagonal y las contratuercas dentadas.
- Coloque el asidero de la manilla en el asa guía y luego una el asa guía a la base como se muestra en la Fig. 2 con dos tornillos de presión de cabeza hexagonal de M8-1 25 x 40mm y dos contratuercas dentadas.
- Una el sujetador del conjunto de la pistola, el dispositivo de riego y la manguera al asa guía con el tornillo autorroscante #10.

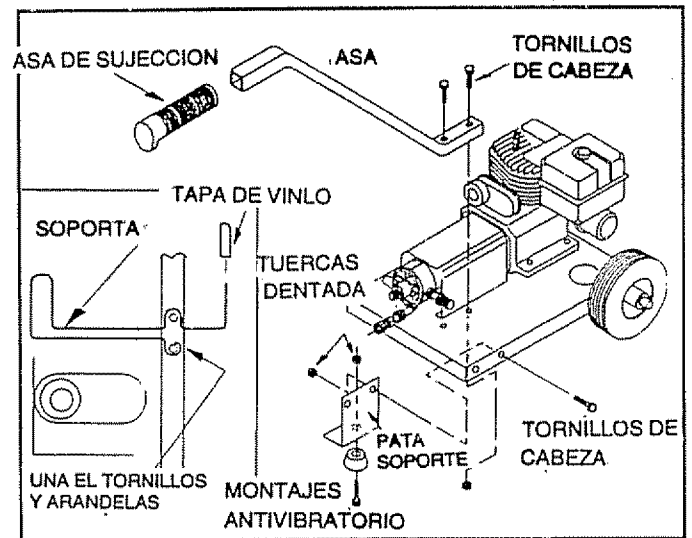


FIG. 2

## PARA MONTAR LOS COMPONENTES REMANENTES



**ADVERTENCIA: USTED DEBE MONTAR EL DISPOSITIVO DE RIEGO Y UNIR TODAS LAS MANGUERAS ANTES DE ENCENDER EL MOTOR. EL ENCENDER EL MOTOR SIN TENER CONECTADAS TODAS LAS MANGUERAS DAÑARA LA BOMBA.**

- Revise el filtro y asegúrese de que está limpio.
- Una el adaptor de conexión rápida al adaptador plástico en la parte frontal de la bomba.
- Desenrolle la manguera de alta presión y conéctela al conjunto de la pistola y el dispositivo de riego (Fig. 3). Es posible que quiera dar vueltas a la pistola o a la manguera para apretar la conexión.
- Una la otra terminación de la manguera de alta presión al adaptador de latón en la bomba por debajo de la conexión de la manguera de jardín (Fig. 4).

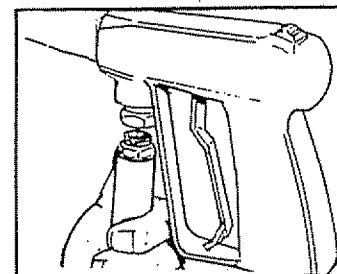


FIG. 3

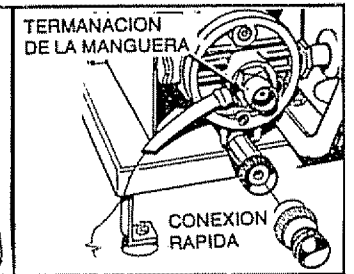


FIG. 4

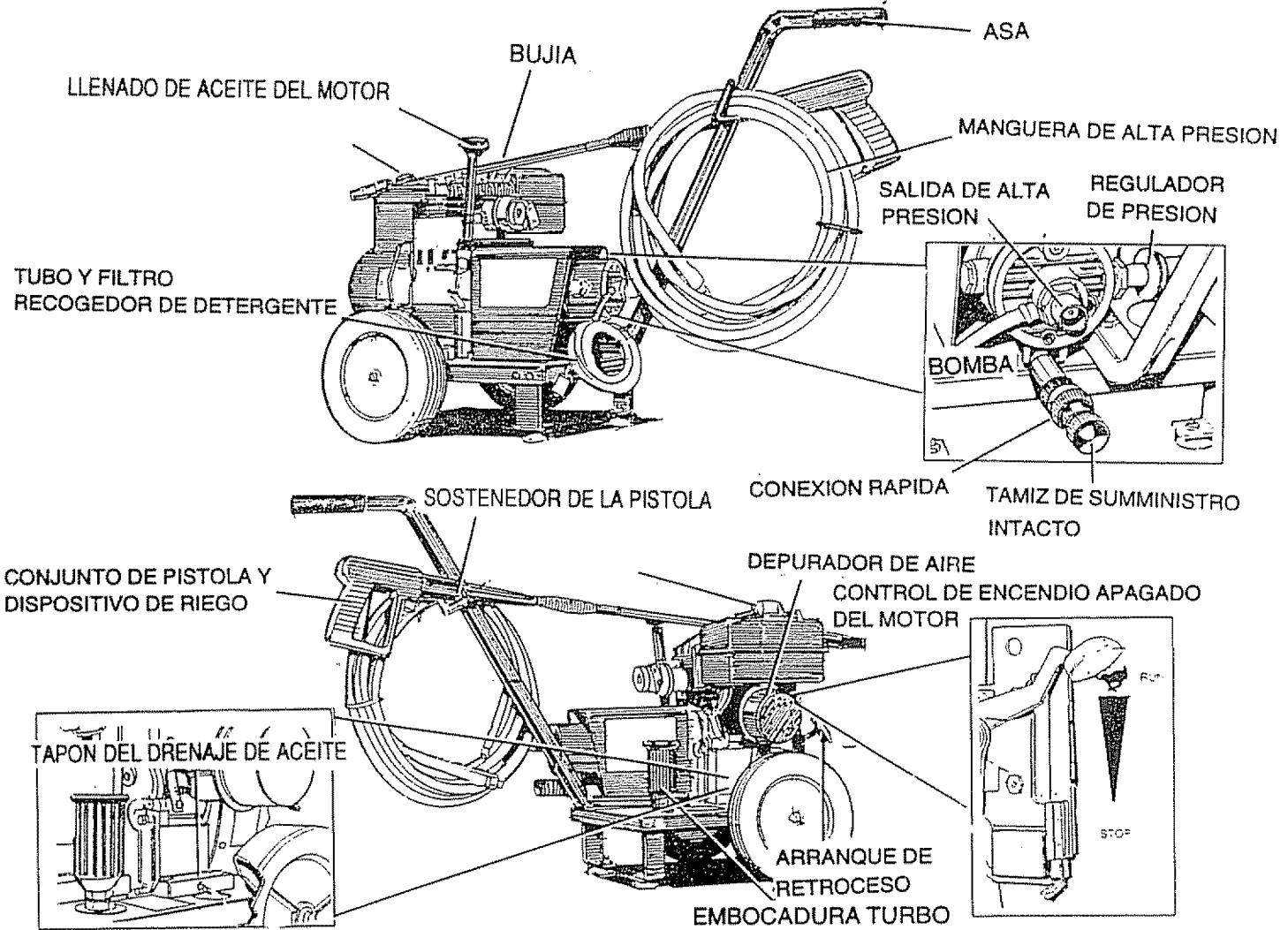
- Una el pulverizador de agua a la terminación del conjunto de partes de la pistola y el dispositivo de riego y apriételo apropiadamente con la mano

**NOTA: Unido a la base de su máquina lavadora de presión se encuentra una turbo embocadura que puede utilizar para ajustar el ángulo de su patrón de riego.**

# OPERACION

## CONOZCA SU MAQUINA LAVADORA DE ALTA PRESION

LEA ESTE MANUAL DEL OPERADOR Y LAS REGLAS DE SEGURIDAD ANTES DE OPERAR SU MAQUINA LAVADORA DE PRESION. Compare las ilustraciones con su máquina lavadora de alta presión, para familiarizarse con las ubicaciones de los diferentes controles y ajustes. Conserve este manual para referencias futuras.



**BOMBA** - Genera la alta presión.

**REGULADOR DE PRESION** - Le permite ajustar la presión (hasta 1,400 psi).

**CONTROL DE ENCENDIDO-APAGADO DEL MOTOR** - Posiciona el motor en la función de encendido para el encendedor de retroceso; APAGA el motor que está en funcionamiento.

**ARRANQUE DE RETROCESO** - Utilizado para encender el motor manualmente.

**DEPURADOR DE AIRE** - El elemento de filtro de tipo seco limita la cantidad de suciedad y polvo que se introduce al motor.

**CONJUNTO DE PISTOLA Y DISPOSITIVO DE RIEGO** - Controla la aplicación de agua en la superficie que se está limpiando con un dispositivo disparador. Incluye un cerrojo de seguridad.

**MANGUERA DE ALTA PRESION** - Conecta una terminación de la bomba de agua a la otra para rociar con el dispositivo de riego.

**TAMIZ DE SUMINISTRO INTACTO** - Filtra el agua del suministro de la entrada del agua.

**TUBO Y FILTRO RECOGEDOR DE DETERGENTE** - Mezcla el agua y el detergente en la corriente de salida del agua.

**SALIDA DE ALTA PRESION** - Conexión para la manguera de alta presión.

**CONEXION RAPIDA** - Conexión fácil para el suministro de toma de agua.

# OPERACION

## COMO UTILIZAR SU MAQUINA LAVADORA

### DETENCION DE SU MAQUINA LAVADORA DE PRESION

- Primero mueva la palanca de mando del motor a la posición "STOP" (Fig. 6).
- El tan sólo **APAGAR** el motor no liberará la presión en el sistema. Apriete el gatillo en el conjunto del dispositivo de riego para aliviar la presión de la manguera.

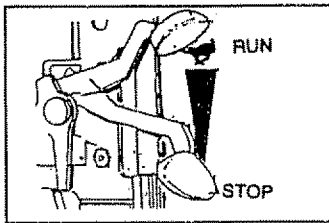


FIG. 6

**NOTA:** Una pequeña cantidad de agua se eliminará cuando libere la presión.

### EMBOCADURAS DE ROCIADO

Su máquina lavadora de alta presión viene equipada con una opción de dos aditamentos para la embocadura de rociado - una embocadura ajustable (Fig. 7) y una embocadura turbo (Fig. 8). Una cualquiera de las embocaduras como se muestra en la Fig. 7 y apriete con la mano la perilla plástica.

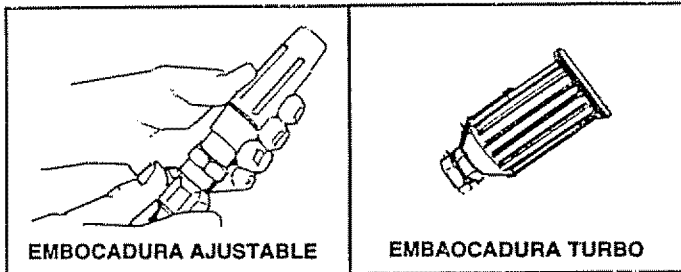


FIG. 7

FIG. 8

### COMO UTILIZAR LA EMBOCADURA AJUSTABLE



**ADVERTENCIA: NUNCA AJUSTE EL PATRON DE ROCIADO CUANDO ESTE ROCIANDO. NUNCA PONGA LAS MANOS EN FRENTE DEL PULVERIZADOR DE AGUA PARA AJUSTAR EL PATRON DE ROCIADO.**

Con la embocadura ajustable puede ajustar el patrón de rociado para que sea de alta o de baja presión. También puede ajustar el rociado de manera que sea concentrado en un patrón de corriente o expandido en un patrón en abanico. Utilice esta embocadura para aplicar el detergente.

- Empuje hacia adelante el aditamento de la embocadura cuando desee ajustar el rociado al modo de baja presión (Fig. 9). Empuje hacia atrás la embocadura para obtener la alta presión.
- Al girar la embocadura se ajusta el patrón de rociado de una corriente angosta a una corriente expandida.

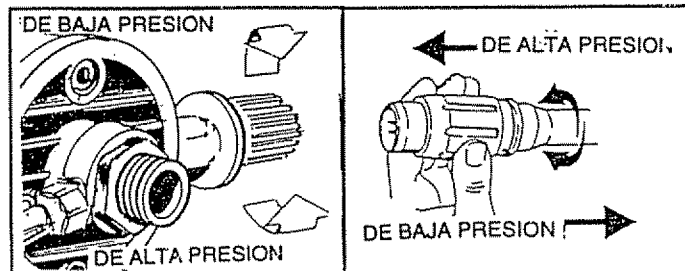


FIG. 9

FIG. 10

- También puede ajustar la presión girando la perilla de control de presión (Fig. 10) al valor de presión deseado. El girar completamente esta perilla en sentido de las manecillas del reloj produce la presión más alta. No desatornille en exceso la válvula de control de presión. Se soltará.

### APLICACION DEL DETERGENTE CON LA EMBOCADURA AJUSTABLE

**IMPORTANTE:** UTILICE JABONES ESPECIFICAMENTE DISEÑADOS PARA MAQUINAS LAVADORAS DE PRESION. LOS DETERGENTES CASEROS PODRIAN DAÑAR LA BOMBA.

**IMPORTANTE:** DEBE UNIR TODAS LAS MANGUERAS ANTES DE ENCENDER EL MOTOR. EL ENCENDER EL MOTOR SIN TENER CONECTADAS TODAS LAS MANGUERAS DAÑARA LA BOMBA.

Las máquinas lavadoras de presión son herramientas de limpieza muy útiles para limpiar casi cualquier superficie en dos pasos fáciles.

- El primer paso involucra la aplicación de la solución detergente/solvente apropiada para penetrar y desprender la suciedad. El detergente es aplicado a baja presión para evitar las salpicaduras, el exceso de rociado y desperdicio. Dejar la solución en la superficie de 3 a 5 minutos para permitir que la solución actúe.
- El segundo paso involucra la limpieza de la superficie que usted ha preparado con la máquina lavadora de presión y luego enjuagarla hasta limpiarla.

Seguir estos pasos para aplicar el detergente:

- Prepare su solución de detergente como fue sugerido en el detergente recomendado para su trabajo.

- Coloque el filtro pequeño del tubo transparente succionador de detergente en el recipiente del detergente (Fig. 11).
- Coloque la embocadura en baja presión. Asegúrese de utilizar el modo de BAJA PRESION (LOW PRESSURE) cuando esté aplicando el detergente o el desengrasador (Fig. 9).

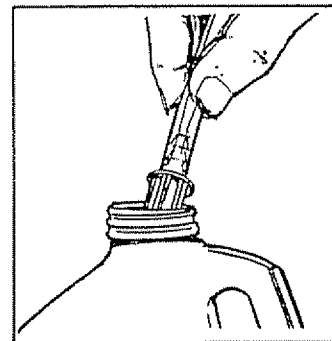


FIG. 11

- Encienda la máquina lavadora y aplique el detergente en una superficie seca, comenzando desde abajo y dirigiéndose hacia arriba.

**NOTA:** Los detergentes son más efectivos cuando se aplican sobre una superficie seca.

### COMO UTILIZAR LA EMBOCADURA TURBO

- La embocadura turbo de rotación, en esencia, expande el área de la corriente de alta presión.
- No puede ajustar el patrón de rociado con esta embocadura.
- No puede aplicar el detergente con esta embocadura.

### ALMACENAMIENTO DE LAS EMBOCADURAS

Es incluido con la base un sostenedor para las embocaduras. Puede mantener en este sostenedor la embocadura que no está utilizando. Vea la Fig. 5 en la Página 7 para ver la embocadura turbo en esa ubicación.

# OPERACION

## LAVADO/ENJUAGUE DE PRESION



**ADVERTENCIA:** SEA EXTREMADAMENTE CUIDADOSO SI POR ALGUNA RAZON DEBE UTILIZAR LA MAQUINA LAVADORA DE PRESION DESDE UNA ESCALERA UN ANDAMIAJE O CUALQUIER OTRA UBICACION RELATIVAMENTE INESTABLE. LA PRESION EN UNA MAQUINA LAVADORA EN FUNCIONAMIENTO SE INCREMENTA EN EL DISPOSITIVO DE RIEGO A MEDIDA QUE USTED ASCIENDE. CUANDO APRIETE EL GATILLO, EL RETROCESO DEL ROCIADO INICIAL PODRIA HACERLE CAER, O SI ESTA MUY CERCA DE LA SUPERFICIE A LIMPIAR, LA ALTA PRESION PODRIA HACERLE CAER DEL ANDAMIAJE.

- Conecte el suministro de agua (Fig. 12).
- Ajuste la embocadura para seleccionar el modo de alta presión.

**NOTA:** El detergente no fluirá cuando esté en el modo de alta presión.

- Encender la máquina lavadora y trabajar la parte superior de la superficie hacia la parte inferior.

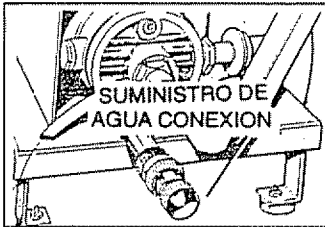


FIG. 12

**NOTA:** El modo de alta presión no es efectivo cuando la punta del dispositivo de riego es mantenida más cerca de 15 centímetros y más lejos de 60 centímetros de la superficie que está siendo limpiada.

## ANTES DE ENCENDER EL MOTOR

Para operar el motor necesitará lo siguiente:

### ACEITE DEL MOTOR

**IMPORTANTE:** CUALQUIER INTENTO DE VIRAR O ENCENDER EL MOTOR ANTES DE QUE HAYA RECIBIDO EL SERVICIO ADECUADO CON EL ACEITE RECOMENDADO PUEDE RESULTAR EN FALLA DEL MOTOR.

- Una botella de 20 oz de aceite SAE 30 viene incluida en la caja de partes.

**NOTA:** Cuando agregue aceite a la caja del cigueñal del motor en el futuro, utilice únicamente aceite detergente de alta calidad clasificado con la clasificación de servicio API, SF o SG, con peso 30 de la clasificación SAE. Seleccione el grado de viscosidad del aceite de acuerdo a la temperatura de operación esperada.



Aunque los aceites de viscosidad múltiple (5W30, 10W30, etc.) mejoran el encendido en clima frío, dichos aceites de viscosidad múltiple crearán un consumo de aceite aumentado cuando los utilice por encima de 32F. Revise el nivel de aceite del motor más frecuentemente para evitar un daño posible del motor por funcionamiento en bajo nivel de aceite.

- La capacidad del sumidero del aceite es de 20 onzas.
- Posicione la máquina lavadora de presión de manera que el motor esté nivelado.
- Limpie el área alrededor del llenado de aceite y retire la varilla de medición (Fig. 13).

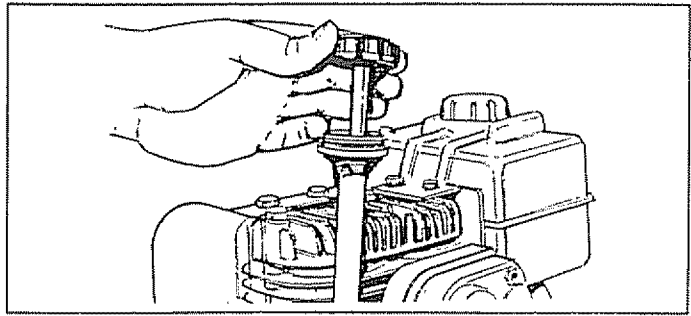


FIG. 13

- Limpie la varilla de medición, insértela dentro del orificio de llenado de aceite y apriétela firmemente. Retire la varilla de medición de aceite. Si el aceite no está en la MARCA FULL (LLENO) de la varilla de medición, agregue el aceite recomendado. VIERTALO LENTAMENTE
  - Limpie la varilla de medición de aceite cada vez que sea revisado el nivel de aceite.
- IMPORTANTE:** NO LO LLENE POR ENCIMA DE LA MARCA "FULL" ("LLENO") DE LA VARILLA DE MEDICION DE ACEITE.
- Vierta el aceite de la botella incluida en la abertura de llenado de aceite.
  - Instale la varilla de medición de aceite, apriete con la mano seguramente.

## GASOLINA



**ADVERTENCIA:** NUNCA LLENE EL TANQUE DE COMBUSTIBLE EN RECINTOS CERRADOS. NUNCA LLENE EL TANQUE DE COMBUSTIBLE CUANDO EL MOTOR ESTA EN FUNCIONAMIENTO O CALIENTE. NO FUME CUANDO ESTE LLENANDO EL TANQUE.



**ADVERTENCIA:** NUNCA LLENE EL TANQUE DE COMBUSTIBLE EN SU TOTALIDAD. LLENE EL TANQUE HASTA APROXIMADAMENTE 1,25 cm POR DEBAJO DE LA PARTE INFERIOR DEL TUBO DE LLENADO PARA PROPORCIONAR ESPACIO PARA LA EXPANSION DEL COMBUSTIBLE. LIMPIE CUALQUIER DERRAME DE COMBUSTIBLE DEL MOTOR Y EL EQUIPO ANTES DE ENCENDERLO.

El fabricante recomienda gasolina para automóviles normal sin plomo en buenas condiciones con un mínimo de 77 octanos (La clasificada como grado normal con plomo es un sustituto aceptable). La capacidad del tanque es de 1,9 litros.

- Utilice combustible limpio y almacénelo en recipientes aprobados y cerrados correctamente. Utilice embudos para llenado limpios. Nunca utilice gasolina "vieja" dejada desde la última estación o almacenada por largos períodos de tiempo.

**IMPORTANTE:** ES IMPORTANTE PREVENIR LA CREACION DE DEPOSITOS DE GOMA EN LAS PARTES DEL SISTEMA DE COMBUSTIBLE IMPORTANTES TALES COMO EL CARBURADOR, FILTRO DE LA GASOLINA, MANGUERA DE LA GASOLINA O EL TANQUE DURANTE EL ALMACENAJE. TAMBIEN, LA EXPERIENCIA INDICA QUE LOS COMBUSTIBLES MEZCLADOS CON ALCOHOL (LLAMADOS GASOLINOL O UTILIZADO ETANOL O METANOL) PUEDEN ATRAER LA HUMEDAD LA CUAL LLEVA A LA SEPARACION Y FORMACION DE ACIDOS DURANTE EL ALMACENAJE. LA GASOLINA ACIDA PUEDE DAÑAR EL SISTEMA DE

# OPERACION

COMBUSTIBLE DE UN MOTOR MIENTRAS ESTA ALMACENADO. PARA EVITAR PROBLEMAS EN EL MOTOR EL SISTEMA DE COMBUSTIBLE DEBE SER VACIADO ANTES DE ALMACENAR LA UNIDAD POR MAS DE 30 DIAS. VEA "ALMACENAJE" EN LA PAGINA 11. NUNCA UTILICE PRODUCTOS LIMPIADORES PARA EL MOTOR O EL CARBURADOR EN EL TANQUE DE COMBUSTIBLE, DE LO CONTRARIO PODRIA OCASIONAR DAÑOS PERMANENTES.

- Limpie el área alrededor de la tapa para llenado de combustible, después retire la tapa.
- Añada gasolina regular "UNLEADED" ("SIN PLOMO"), lentamente, hasta llenar el tanque.
- Instale la tapa del tanque de combustible y limpie cualquier derrame de gasolina.

## PARA ENCENDER LA MAQUINA LAVADORA

- Conecte una terminación de la manguera de jardín a una fuente de agua fría. El suministro de agua no debe exceder los 140F (55C).
- Asegúrese de que la manguera de alta presión esté unida a la salida de la bomba y de que el suministro de agua esté unido a la entrada de la bomba (acople plástico).
- Deje correr el agua.
- Oprima el gatillo del conjunto pistola dispositivo de riego para liberar el aire de la manguera de alta presión.
- Ajuste la embocadura a la presión y ángulo de rociado correcto. También puede girar el botón de control de presión al valor de presión deseado.
- Cebe el motor de acuerdo con "PARA ENCENDER LA MAQUINA LAVADORA".
- Apriete el gatillo del dispositivo de lavado de presión (Fig. 14).
- Ajuste el Cerrojo de Seguridad de manera que la pistola esté en la posición "Closed" ("Cerrado").
- Encienda el motor de acuerdo a "PARA ENCENDER EL MOTOR."

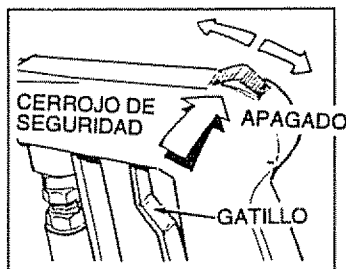


FIG. 14

## PARA ENCENDER EL MOTOR

**IMPORTANTE: NO HAGA FUNCIONAR LA BOMBA SIN TENER CONECTADO EL SUMINISTRO DE AGUA. NO PERMITA QUE LA BOMBA FUNCIONE POR MAS DE 5 MINUTOS SIN APRETAR EL GATILLO DE LA PISTOLA. SI NO ESTA EN USO POR MAS DE 5 MINUTOS SIN TIRAR EL DISPARADOR, ALIVIE LA PRESION Y APAGUE LA UNIDAD. USTED DEBE SEGUIR ESTA PRECAUCION O DE OTRA FORMA LA BOMBA RESULTARA DAÑADA.**

- Prepare el motor presionando el cebador, espere 2 segundos. Repita este procedimiento dos veces más (Fig. 15).

NOTA: No utilice el cebador si el motor ya está caliente

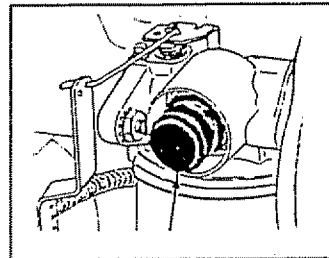


FIG. 15

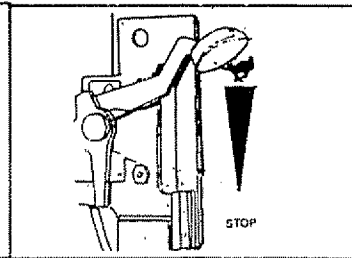


FIG. 16

- Presione el disparador en el dispositivo de riego de la máquina lavadora de presión.
- Ajuste el cerrojo de seguridad de manera que la pistola esté en la posición CLOSED (CERRADA).
- Coloque la palanca de mando del motor (localizada por debajo del tanque de combustible) en la posición RUN (FUNCIONAMIENTO) (Fig. 16).
- Sostenga el asa de retroceso que enciende el motor y tírela hacia atrás lentamente hasta que se sienta más firme. Deje que la cuerda se enrolle lentamente. Tire de la cuerda con un movimiento completo y rápido del brazo. Deje que la cuerda regrese lentamente.
- Si el motor no se enciende después de tres intentos, cebe el motor, oprima el gatillo e intente de nuevo tirar de la soga de encendido.

## SUGERENCIAS

- Para la limpieza, comience en la porción más inferior del área que va a ser lavada y trabaje hacia arriba usando movimientos largos, iguales dobles.
- Para el enjuagado, empuje el cuerpo de la embocadura a alta presión y espere por el detergente para limpiar. Comience en la parte superior del área que va a ser enjuagada, trabajando hacia abajo con el mismo movimiento que para la limpieza.
- Nunca utilice la entrada de la manguera de jardín para succionar detergente o cera.
- Para una limpieza más efectiva mantenga el pulverizador de agua de 20 a 60 centímetros de la superficie de limpieza.
- Si coloca el pulverizador de agua muy cerca, especialmente usando el modo de alta presión, puede dañar la superficie de limpieza.
- Si mantiene el pulverizador de agua muy lejos la limpieza no será efectiva.
- Limpie rápidamente un área y revise la superficie para ver si encuentra daños. Si no encuentra daños puede asumir que el trabajo es correcto y puede seguir limpiando.
- No se acerque más de 15 centímetros cuando esté limpiando llantas de automóvil.
- Para un mejor resultado aplique el detergente sobre una superficie seca. Permita que el detergente se remoje entre 3-5 minutos antes de lavar y enjuagar.

# RESPONSABILIDADES DEL CLIENTE

PROGRAMACION DE MANTENIMIENTO RELLENE LAS FECHAS A MEDIDA QUE COMPLETE EL SERVICIO PERIODICO	INTERVALO DE OPERACION POR HORA						FECHAS DE SERVICIO			
	Antes de Cada Uso	Cada 5 Horas o Anualmente	Cada 25 Horas o Anualmente	Cada 50 Horas o Anualmente	Cada 100 Horas o Anualmente	Cada 500 Horas o Anualmente				
<b>TRABAJO DE MANTENIMIENTO</b>										
<b>MAQUINA LAVADORA DE PRESION</b>	X#									
1. Revisar el filtro de entrada										
2. Revisar la manguera de alta presión.	X									
3. Revisar la manguera del detergente	X									
4. Revisar fugas en la pistola y el dispositivo de riego	X									
5. Cambiar el aceite de la bomba				X+		X				
<b>MOTOR</b>										
1. Revisar el nivel de aceite		X								
2. Cambiar el aceite del motor ++			X*							
3. Dar servicio al depurador de aire					X**					
4. Reemplazar/limpiar la bujía.					X					
5. Preparar para almacenaje	Prepare la unidad para almacenaje si esta va a permanecer inactiva por más de 30 días.									

# Limpiar si está obstruido. Cambiar si está perforado o roto.

+ Cambiar el aceite de la bomba después de las primeras 50 horas de operación, y luego después de 500 horas de operación.

++Cambiar el aceite después de las primeras 2 horas, luego después de cada 25 horas.

\* Cambiar con mayor frecuencia cuando se está operando con cargas pesadas o en ambientes a altas temperaturas.

\*\* Limpiar más frecuentemente bajo condiciones polvorientas o cuando se presenten partículas aerotransportadas.

## RECOMENDACIONES GENERALES

La garantía de la máquina lavadora de alta presión no cubre los elementos que han sido sujetos a abuso o mal trato por parte del operador. Para recibir el valor completo de la garantía el operador debe mantener la máquina lavadora como se indica en este manual.

Será necesario realizar algunos ajustes periódicamente para mantener apropiadamente su máquina lavadora.

Todos los ajustes en la sección de Servicio y Ajustes de este manual deben ser hechos por lo menos una vez en cada estación.

- Una vez al año debe reemplazar la bujía y limpiar o reemplazar el filtro de aire y revisar si existe desgaste en el conjunto de la pistola y el dispositivo de riego. Una bujía nueva y un filtro de aire limpio aseguran una mezcla combustible-aire apropiada y le ayuda a su motor a funcionar mejor y durar más.

## ANTES DE CADA USO

- Revisar el nivel de aceite del motor.
- Revisar que no exista goteo o perforación en el filtro de entrada de agua.

- Revisar que no existan fugas en la manguera de alta presión.
- Revisar que no estén dañados la manguera de entrada del detergente y el filtro.
- Revisar que no existan fugas en el conjunto de la pistola y el dispositivo de riego.

## MANTENIMIENTO DEL MOTOR

### Revisión del Nivel de Aceite:

Ver "PREPARACION ANTES DEL USO" para información en la revisión del nivel de aceite. El nivel de aceite debe ser revisado antes de cada uso o al menos cada 5 horas de operación. Mantenga el nivel de aceite apropiadamente.

### Cambio de aceite:

- Cambie el aceite después de las primeras 2 horas de operación. Y a partir de ese momento cambie el aceite cada 25 horas. Cambie el aceite más frecuentemente si está utilizando su máquina lavadora de presión bajo condiciones de extrema suciedad o polvo, o clima extremadamente caliente.
- Cambie el aceite mientras el motor esté todavía caliente por funcionamiento, como se indica a continuación:

# RESPONSABILIDADES DEL CLIENTE



**AVISO: DESCONECTE EL CABLE DE LA BUJIA DE LA MISMA Y MANTENGA LO LEJOS DE LA BUJIA.**

## Cambio de Aceite (continuación):

- Limpie el área alrededor del tapón de drenaje del aceite, retire el tapón y drene el aceite completamente en un recipiente apropiado (Fig. 17).
- Cuando haya drenado todo el aceite instale y apriete el tapón.
- Retire la varilla de medición de aceite y el tapón de llenado. Limpie correctamente la varilla de medición del aceite.
- Llene la caja del cigüeñal del motor con el aceite recomendado hasta que el nivel de aceite esté en el punto "FULL" ("LLENO") de la varilla de medición de aceite. No lo deje por encima de esa marca. Se necesitan alrededor de 600 mililitros. VACIELO LENTAMENTE.
- Cuando la caja del cigüeñal del motor sea llenada al nivel apropiado, instale y apriete la varilla de medición de aceite y el tapón de llenado.



FIG. 17

## Servicio del Depurador de Aire:

Su motor no funcionará apropiadamente y puede resultar dañado si usted lo opera con un depurador de aire sucio.

Limpie o reemplace el filtro de papel del depurador de aire una vez cada 100 horas de operación o una vez al año, cualquiera que sea primero. Limpie o reemplace más frecuentemente si

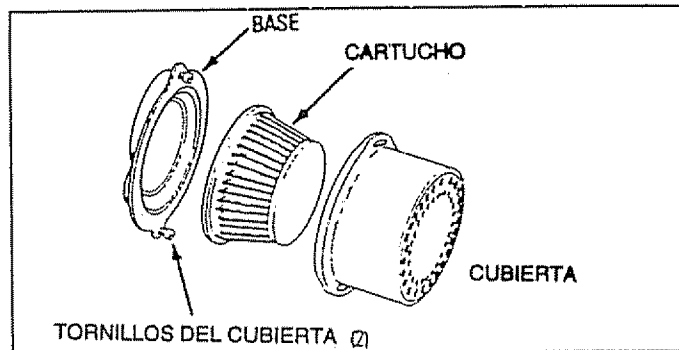


FIG. 18

lo está operando bajo condiciones polvorrientas o sucias. Los repuestos están disponibles en su Centro local de Servicio Autorizado Sears.

Para limpiar o reemplazar su depurador de aire (Fig. 18):

- Afloje los tornillos de la cubierta (no necesitan ser retirados) y retire la cubierta. Limpie apropiadamente dentro de la base de la cubierta.
- Ponga en funcionamiento el cartucho golpeándolo cuidadosamente en una superficie plana. Reemplácelo si está sucio. No aceite el cartucho.
- Inserte el cartucho (nuevo o usado) y reposicione la cubierta a la base como se encontraba anteriormente. Apriete apropiadamente los tornillos de la cubierta.

## Cambio de la Bujía:

Cambie la bujía cada 100 horas de operación o una vez por año, cualquiera que sea primero. Esto ayudará al motor a encenderse más fácilmente y a funcionar mejor. Visite el distribuidor Sears para el tipo de bujía que usted necesita. El espacio de la bujía es de 0.030 pulgadas (0,76mm).

# SERVICIO Y AJUSTES

## AJUSTES DEL MOTOR

### Carburador:

Si cree que su carburador necesita de ajuste, visite su distribuidor de Servicio Sears más cercano. El desempeño del motor puede ser afectado en altitudes por encima de los 1200 metros. Para mejorar el desempeño del motor instale un Juego de Ajuste de Gran Altitud. Para obtener este juego visite su distribuidor de Servicio Sears más cercano.

### Velocidad del Motor:



**ADVERTENCIA: NUNCA INTENTE MODIFICAR EL REGULADOR DEL MOTOR. ESTE VIENE GRADUADO DE FABRICA PARA UNA VELOCIDAD DE MOTOR APROPIADA. PUEDE SER PELIGROSO EL TENER EL MOTOR A UNA VELOCIDAD EXCESIVA, POR ENCIMA DE LOS VALORES DE ALTA VELOCIDAD INSTALADOS EN FABRICA.**

**IMPORTANTE: EL CAMBIO EN LA VELOCIDAD DE REGULACION DEL MOTOR ELIMINARA LA GARANTIA DEL MOTOR.**

## MANTENIMIENTO DE LA BOMBA

**Aceite de la Bomba:** Cambie el aceite de la bomba después de las primeras 50 horas de operación. A partir de ese momento cámbielo cada 500 horas. Para cambiar el aceite de la bomba siga estos pasos:

- Retire el escudo de la bomba.
- Retire el Tapón de Llenado de Aceite de la parte superior de la bomba (Fig. 19).
- Incline la máquina lavadora de presión para permitirle al aceite de la bomba vaciarse dentro de



FIG. 19

- un recipiente apropiado.
- Inserte el embudo y añada aceite SAE 15W-40 recomendado, luego instale el Tapón de Llenado de Aceite. La capacidad es de 75 mililitros.
- Reinstale el tapón de llenado de aceite de la bomba y reposicione el escudo de la bomba.



# ALMACENAJE

## BOMBA DE LA MAQUINA LAVADORA DE PRESION

No debe permanecer agua en la unidad por largos períodos de tiempo. Se pueden depositar sedimentos minerales en las partes de la bomba y "congelar" la acción de la bomba. Si tiene planeado no utilizar la Máquina Lavadora de Presión por más de 30 días siga este procedimiento:

- Lave con agua la manguera del detergente colocando el filtro inyector en un cubo de agua limpia mientras funciona la Máquina Lavadora de Presión con la embocadura en la función de baja presión. Lave con agua por cinco minutos.
- Apague el motor y déjelo enfriarse, después retire todas las mangueras.
- Coloque la palanca de mando en la posición "STOP" ("PARADO").



**PRECAUCION:** Asegúrese que la palanca de mando está en la posición "STOP" antes de continuar. Puede dañar la bomba si enciende el motor sin el suministro de agua apropiado conectado.

- Vacíe la bomba de todos los líquidos bombeados tirando del asa de retroceso sobre 6 veces. Esto drenará la mayoría del líquido en la bomba.

**NOTA:** Para proteger la unidad de las temperaturas de congelamiento puede succionar líquido anticongelante de parabrisas en la bomba depositando el líquido lavador en una sección de 1 metro de manguera de jardín conectada al adaptador de entrada y tirando dos veces el asa de retroceso.

- Almacene en una área limpia y seca.

## MOTOR

Es importante prevenir la formación de depósitos de goma en partes importantes del sistema de combustible como el carburador, filtro de gasolina, manguera del combustible o tanque durante el almacenaje. También la experiencia indica que los combustibles de alcohol mezclado (llamados "gasohol" o que utilizan etanol o metanol) pueden atraer la humedad la cual lleva a la separación y formación de ácidos durante el almacenaje. Gasolina ácida puede dañar el sistema de combustible de un motor mientras se encuentra almacenado.

Para evitar problemas en el motor, el sistema de combustible debe ser desocupado antes de ser sometido a un almacenaje de 30 días o más. Siga estas instrucciones:



**ADVERTENCIA:** NUNCA ALMACENE EL MOTOR CON COMBUSTIBLE EN EL TANQUE BAJO TECHO O RECINTOS CERRADOS, O AREAS POBREMENTE VENTILADAS DONDE LOS VAPORES PUEDAN ALCANZAR UNA LLAMA ABIERTA, CHISPA O LLAMA DE ENCENDIDO COMO EN UN HORNO, CALENTADORES DE AGUA, SECADORA DE ROPA U OTROS APARATOS ACCIONADOS CON GAS.

**Drenaje del Sistema de Combustible:** Retire toda la gasolina del carburador y el tanque de combustible para prevenir la formación de depósitos de goma en estas partes y causar la posible malfunción



**ADVERTENCIA:** DRENE EL COMBUSTIBLE EN UN RECIPIENTE APROBADO EN UN AREA ABIERTA, LEJOS DE LLAMAS ABIERTAS. ASEGURESE DE QUE EL MOTOR ESTA FRIJO, NO FUME.

del motor.

**NOTA:** Si utilizó "gasohol" haga funcionar el motor hasta que se detenga por falta de combustible.

**NOTA:** Estabilizador de combustible (como STA-BIL<sup>®</sup>) es una alternativa aceptable para minimizar la formación de depósitos de goma durante el almacenaje.

**Cambio de Aceite:** Drene el aceite de la caja del cigüeñal mientras el motor está aún caliente. Recambie con el aceite de grado recomendado.

**Diámetro Interno del Cilindro de Aceite:** Retire la bujía y deposite alrededor de 1/2 onza (15 ml) de aceite para motor en el cilindro. Cubra el orificio de la bujía con un trapo. Vire lentamente para distribuir el aceite.

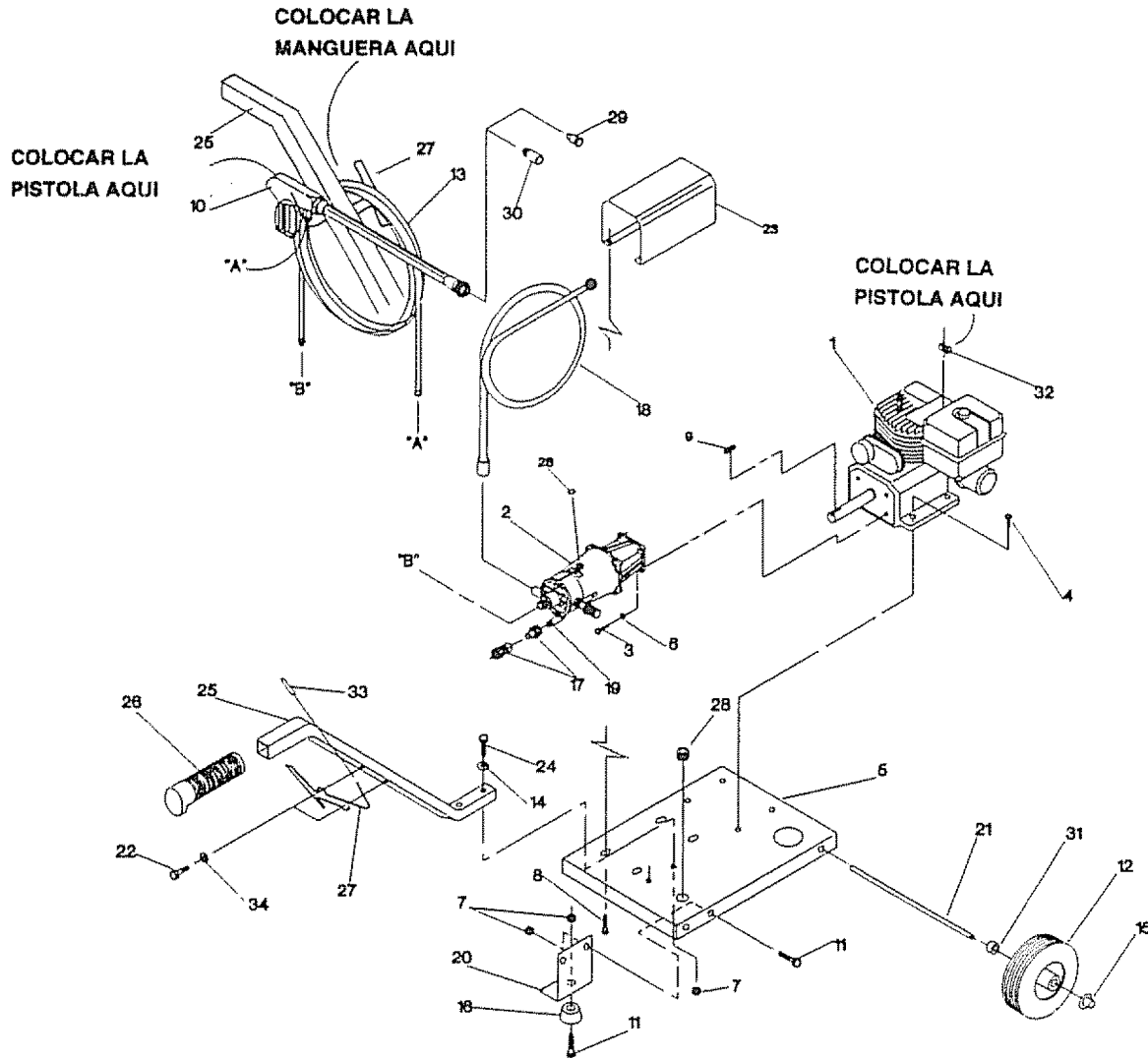


**¡AVISO!** EVITE DERRAMAR ACEITE DEL ORIFICIO DE LA BUJIA CUANDO ESTE VIRANDO EL MOTOR LENTAMENTE.

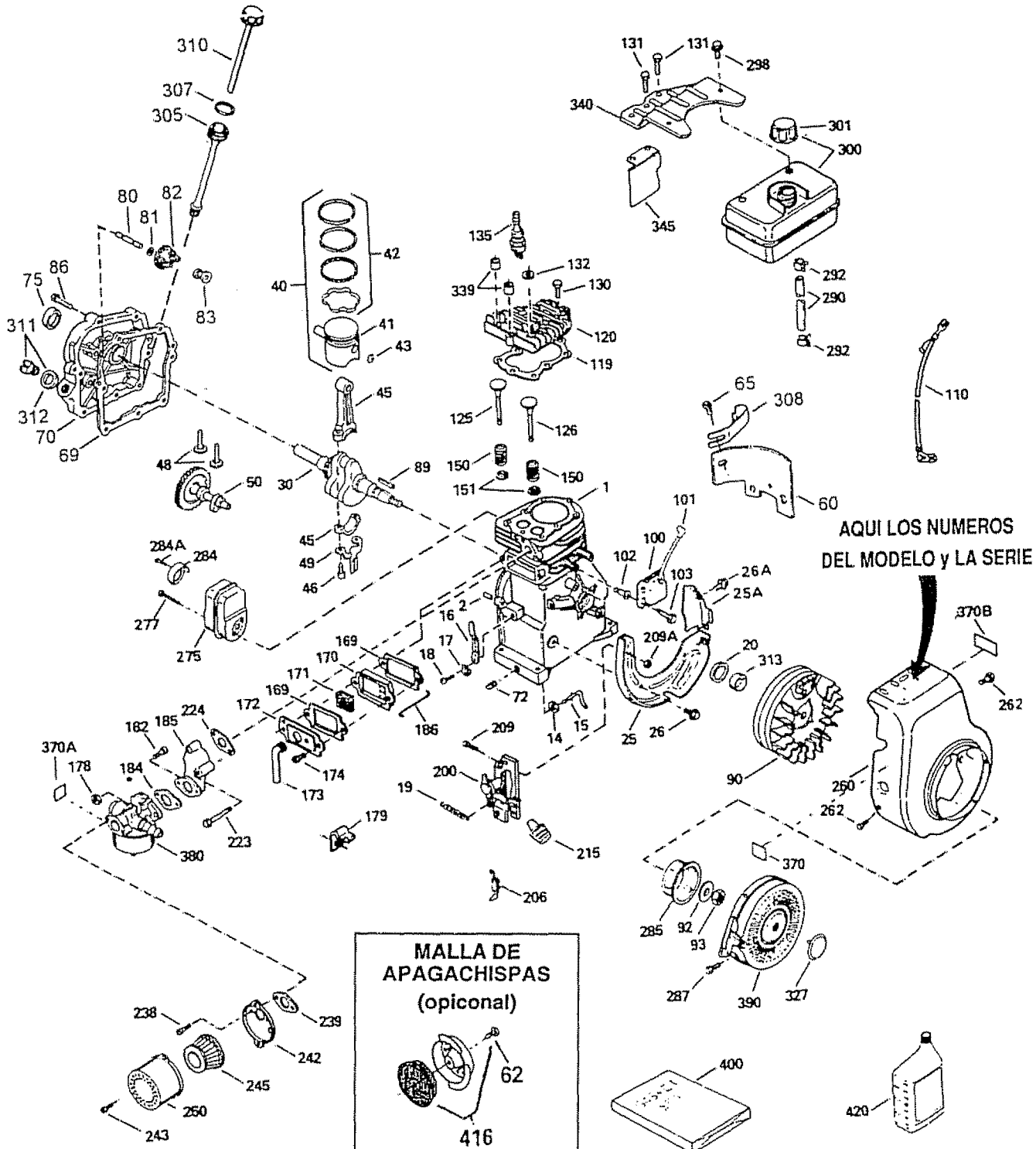
- Instale la bujía. No conecte el cable de la bujía.

## DIAGNOSTICO DE AVERIAS

PROBLEMA	CAUSA	CORRECCION
La bomba tiene los siguientes problemas: falla al producir presión, presión equivocada, chirridos, pérdida de presión, bajo volumen de agua.	<ol style="list-style-type: none"> <li>1. Baja presión del regulador.</li> <li>2. La entrada de agua está bloqueada.</li> <li>3. Suministro de agua inadecuado.</li> <li>4. La manguera de entrada está doblada o con fugas.</li> <li>5. El tamiz de la manguera de entrada está obstruido.</li> <li>6. La línea de detergente no está sumergida.</li> <li>7. El suministro de agua se encuentra sobre los 55C.</li> <li>8. La manguera de salida está bloqueada o tiene fugas.</li> <li>9. La pistola tiene fugas.</li> <li>10. La embocadura está obstruida.</li> <li>11. La bomba está averiada.</li> </ol>	<ol style="list-style-type: none"> <li>1. Ajuste el regulador al valor deseado.</li> <li>2. Limpie la entrada.</li> <li>3. Proporcione un flujo de agua adecuado.</li> <li>4. Enderece la manguera de entrada, coloque un parche en la fuga.</li> <li>5. Revise y limpie el tamiz de la manguera de entrada.</li> <li>6. Sumerja la línea de detergente.</li> <li>7. Proporcione un suministro de agua más frío.</li> <li>8. Eliminar los bloqueos en la manguera de entrada.</li> <li>9. Reemplace la manguera.</li> <li>10. Limpie la embocadura.</li> <li>11. Contacte el Departamento de Servicio de Sears.</li> </ol>
El detergente falla al mezclarse con el rociador.	<ol style="list-style-type: none"> <li>1. La línea del detergente no está sumergida.</li> <li>2. El filtro de químicos está obstruido.</li> <li>3. La embocadura está en el valor de alta presión.</li> </ol>	<ol style="list-style-type: none"> <li>1. Inserte la línea del químico en el detergente.</li> <li>2. Limpie o reemplace la línea de filtro/detergente.</li> <li>3. Coloque la embocadura a baja presión.</li> </ol>
El motor funciona bien cuando no tiene carga pero "pierde potencia" bajo cargas mayores.	La velocidad del motor es muy lenta.	Contacte el Departamento de Servicio de Sears.
El motor no se enciende; o se enciende y funciona mal	<ol style="list-style-type: none"> <li>1. Depurador de aire sucio.</li> <li>2. Sin gasolina.</li> <li>3. Gasolina vieja.</li> <li>4. El cable de la bujía no está conectado a la bujía.</li> <li>5. Bujía en malas condiciones.</li> <li>6. Agua en la gasolina.</li> <li>7. Sobreestrangulado.</li> <li>8. La mezcla de aire gasolina contiene mucha gasolina.</li> <li>9. La válvula de entrada se quedó abierta o cerrada.</li> <li>10. El motor ha perdido compresión.</li> </ol>	<ol style="list-style-type: none"> <li>1. Limpie o reemplace el depurador de aire.</li> <li>2. Llène el tanque de combustible.</li> <li>3. Drene el tanque de combustible, llénelo con combustible fresco.</li> <li>4. Conecte el cable a la bujía.</li> <li>5. Reemplace la bujía.</li> <li>6. Drene el tanque de gasolina, llénelo con combustible fresco.</li> <li>7. Abra el estrangulador completamente y haga virar el motor.</li> <li>8. Contacte el Departamento de Servicio de Sears.</li> <li>9. Contacte el Departamento de Servicio de Sears.</li> <li>10. Contacte el Departamento de Servicio de Sears.</li> </ol>
El motor se apaga durante la operación	<ol style="list-style-type: none"> <li>1. Sin gasolina.</li> <li>2. Bajo nivel de aceite.</li> </ol>	<ol style="list-style-type: none"> <li>1. Llène el tanque de combustible.</li> <li>2. Llène la caja del cigüeñal hasta un nivel apropiado.</li> </ol>
El motor pierde potencia.	Filtro de aire sucio.	Reemplace el filtro de aire.
El motor cambia de velocidad o no mantiene su ritmo.	<ol style="list-style-type: none"> <li>1. El estrangulador es abierto muy rápidamente.</li> <li>2. El carburador está funcionando con una mezcla de aire gasolina inapropiada.</li> </ol>	<ol style="list-style-type: none"> <li>1. Mueva el estrangulador a una posición intermedia hasta que el motor funcione suavemente.</li> <li>2. Ajuste el carburador.</li> </ol>



ITEM	PART NO.	DESCRIPTION	ITEM	PART NO.	DESCRIPTION
1	91122	Motor Tecumseh 3 H.P. (1 nec.)	17	91129	Conexion Rapida (1 nec.)
2	87627	Bomba (1 nec.)	18	89800	Tubo y Filtro Recogedor de Detergente (1 nec.)
3	22147	Tornillo de Cabeza 5/16"-24 x 1" (4 nec.)	19	90065	Conexion de Manguera (1 nec.)
4	39414	Tornillo de Cabeza M8 x 35mm (4 nec.)	20	91092	Pata Soporte (2 nec.)
5	91091	Base de Montaje (1 nec.)	21	91096	Eje (1 nec.)
6	22129	Arandela de Seguridad M8 (4 nec.)	22	86292	Tornillo de Presión Autorroscante #10 (3 nec.)
7	52858	Tuerca Dentada M8-1 25 (12 nec.)	23	88618	Bomba Cubierta (1 nec.)
8	70116	Tornillo M5-0 8 x 12mm con Arandela de Seguridad (4 nec.)	24	57821	Tornillo de Cabeza M8-1 25 x 40m (2 nec.)
9	89314	Chaveta 3/16" sq. x 1-7/8" (1 nec.)	25	91093	Asa (1 nec.)
10	91104	Conjunto de Pistola y Dispositivo de Reigo (1 nec.)	26	77584	Asa de Sujecion (1 nec.)
11	39253	Tornillo de Cabeza M8-1.25 x 20mm (6 nec.)	27	92029	Sostenedor de la Pistola (1 nec.)
12	91094	Rueda (2 nec.)	28	92235	Embocadura Ojal (1 nec.)
13	91629	Manguera de alta Presion (1 nec.)	29	91106	Embocadura Turbo (1 nec.)
14	50190	Arandela (2 nec.)	30	91107	Alta-Baja Embocadura (1 nec.)
15	75402	Tuerca de Empuje 1/2" (2 nec.)	31	92272	Espaciador (2 nec.)
16	87841	Montaje Antivibratorio (2 nec.)	32	65852	Resorte Sujatador (1 nec.)
			33	92067	Tapa de Vinlo (1 nec.)
			34	22473	Arandela (2 nec.)
			—	88601	Manual del Proprietario



AQUI LOS NUMEROS DEL MODELO y LA SERIE

**MALLA DE APAGACHISPAS (opiconal)**

**416**

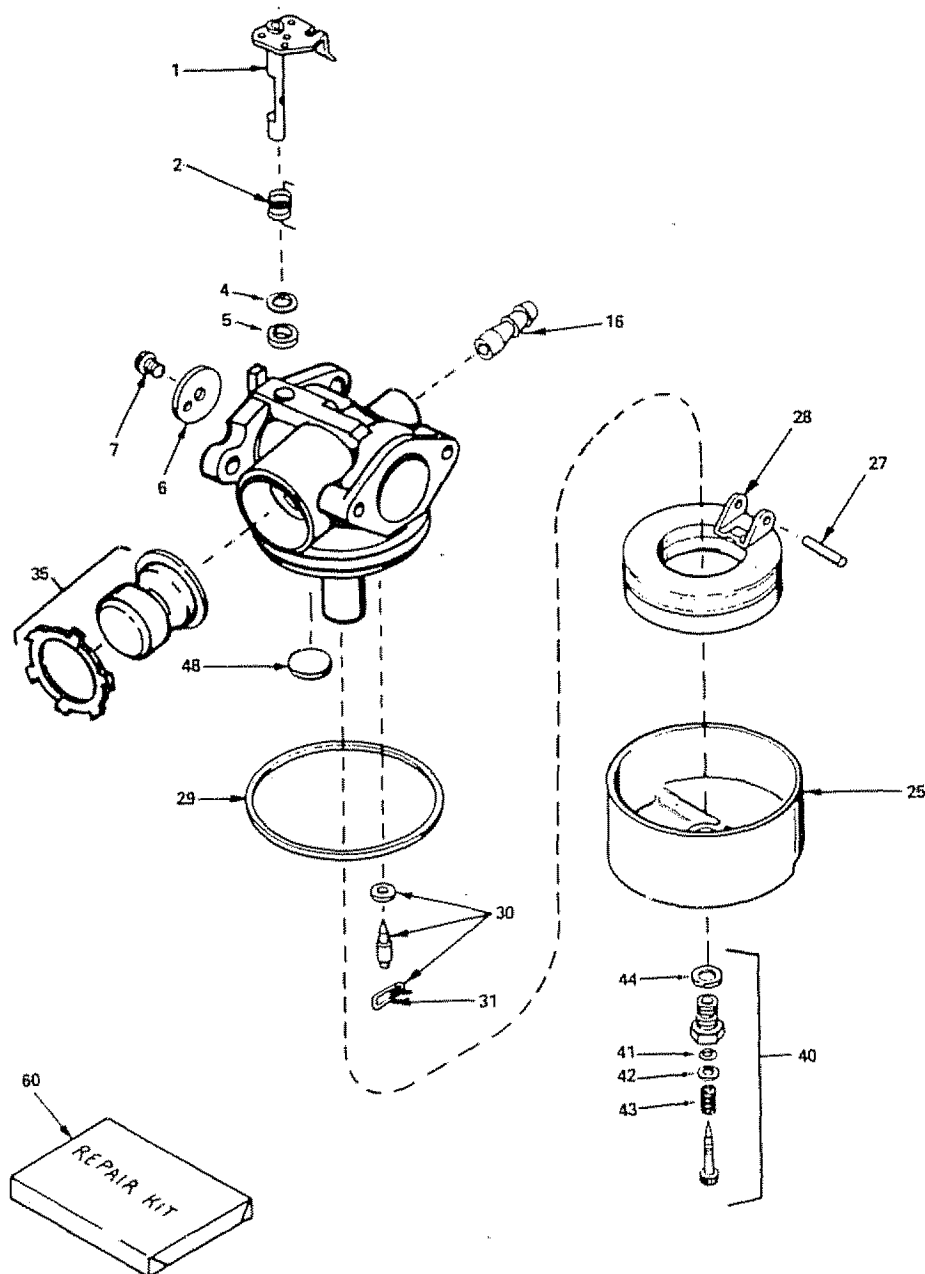
Pieza 416: Malla De Apagachispas y Cubierto (P/N 36085)

Pieza 62 Tornillo (P/N 650760)

**MOTOR CRAFTSMAN DE 4 CICLIOS 143.943009**

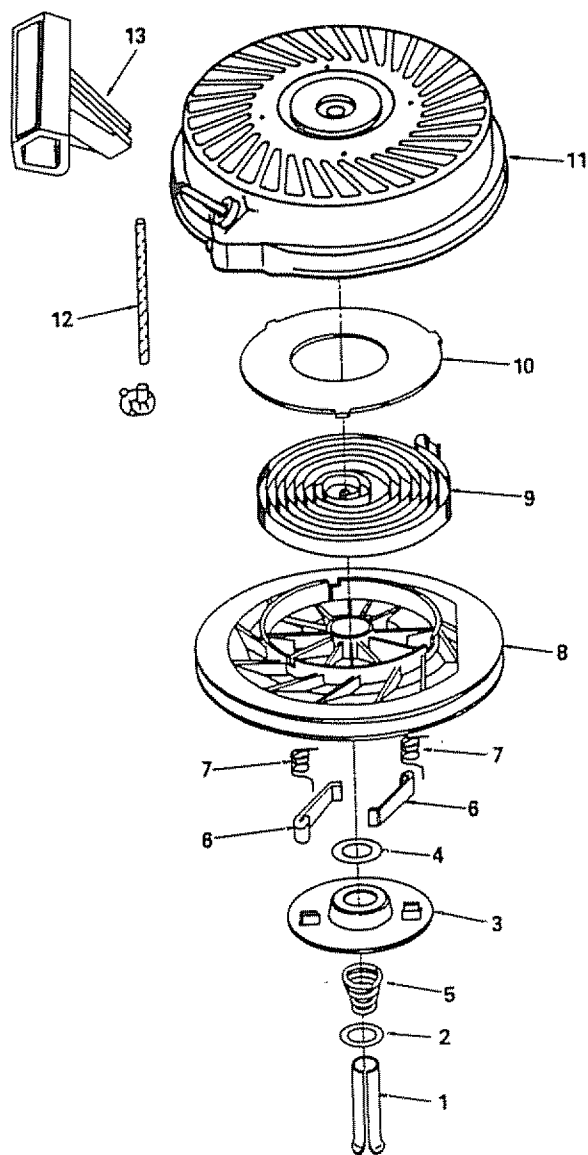
**REPUESTOS**

ELEM.	NO. DE PARTE	DESCRIPCION	ELEM.	NO. DE PARTE	DESCRIPCION
1	34708A	Cilindro (Incluye 2, 20 y 72) (1 nec)	150	31672	Resorte de la Válvula (2 nec)
2	26727	Pasador Guía (2 nec)	151	31673	Tapa del Resorte de la Válvula Inferior (2 nec)
14	28277	Arandela (1 nec)	169	*27234A	Empaque del Respiradero (2 nec)
15	31334	Conj de Barra Reguladora	170	27666	Cuerpo del Respiradero (1 nec)
16	31336	Palanca Reguladora (1 nec)	171	31410	Elemento del Respiradero (1 nec)
17	31335	Grapa de la Palanca Reguladora (1 nec)	172	34146	Cubierta del Respiradero (1 nec)
18	650548	Tornillo Hexagonal No 8-32 x 5/16" (1 nec)	173	35350	Tubo del Respiradero (1 nec)
19	34953	Resorte de Extensión (1 nec)	174	30200	Tornillo No 10-24 x 9/16" (2 nec)
20	32600	Sello para Aceite (1 nec)	178	29752	Contratuerca 1/4-28 (2 nec)
25	33342	Deflector de la Caja Sopladora (1 nec)	179	30593	Abrazadera (1 nec)
25A	35883	Extensión del Deflector (1 nec)	182	6201	Tornillo de 1/4-28 x 7/8 (2 nec)
26	650802	Tornillo de 1/4-20 x 5/8" (2 nec)	184	31688A	Empaque del Carburador (1 nec)
26A	650926	Tornillo de #8-32 X 21/64" (1 NEC)	185	34597	Tubo de Entrada (1 nec)
40	34514	Conj Pistón, Pasador y Anillo (STD)	188	31341	Unión de Mando (1 nec)
	34515	Conj Pistón, Pasador y Anillo (S E 0 01)	200	33858A	Conjunto de la Ménsula de Control (1 nec)
	34516	Conj Pistón, Pasador y Anillo (S E 0 02)	206	610973	Conjunto del Terminal (1 nec)
41	32538B	Conj Pistón y Pasador (STD)	209	650139	Tornillo No 8-32 x 1/2" (2 nec)
	32548B	Conj Pistón y Pasador (S E 0 01)	209A	30322	Contratuerca No 8-32 (2 nec)
	32549B	Conj Pistón y Pasador (S E 0 02)	215	32410	Botón de Control (1 nec)
42	28986	Juego Pistón Anillo (STD)	223	650451	Tornillo de 5/16-18 x 1" (2 nec)
	28987	Juego Pistón Anillo (S E 0 01)	224	32649A	Empaque del Tubo de Entrada (1 nec)
	28988	Juego Pistón Anillo (S E 0 02)	238	650152	Tornillo No 10-32 x 1/2" (2 nec)
43	20381	Anillo de Retención del Pistón Pasador (1 nec)	239	27272A	Empaque del Depurador de Aire (1 nec)
45	30963B	Conj de Barra Conectora (1 nec)	241	33266	Ménsula del Depurador de Aire (1 nec)
46	32610A	Perno de la Barra Conectora (1 nec)	242	31914	Ménsula del Depurador de Aire (1 nec)
48	27241	Levantador de Válvula (1 nec)	243	28820	Tornillo No 10-32 x 1/2" (2 nec)
49	28594	Sumergidor de Aceite (1 nec)	245	30727	Elemento del Depurador de Aire (1 nec)
50	33149A	Arbol de levas [BCR] (1 nec)	250	31715	Cubierta del Depurador de Aire (1 nec)
60	29745	Ext de la Caja Sopladora (1 nec)	260	35585	Caja Sopladora (1 nec)
65	650128	Tornillo No 10-24 x 1/2"	262	29212	Tornillo 1/4-28 x 7/16 (2 nec)
66	650738	Tornillo 1/4-20 x 5/8" (1 nec)	275	36493	Silenciador (1 nec)
69	27677A	Empaque para la Cubierta del Cilindro (1 nec)	277	650988	Tornillo 1/4-20 x 2-5/16" (2 nec)
70	34683A	Conj de la Cubierta del Cilindro (1 nec)	284	34422	Deflector del Silenciador (1 nec)
72	27642	Tapón del Drenaje de Aceite (2 nec)	284A	650760	Tornillo No 8-32 x 3/8" (1 nec)
75	26208	Sello para Aceite (1 nec)	285	34694	Centro del Arrancador (1 nec)
80	30574A	Eje de Mando (1 nec)	287	650926	Tornillo No. 8-32 x 21/64" (2 nec)
81	30590A	Arandela Plana (1 nec)	290	29774	Línea de Combustible (1 nec)
82	30591	Mecanismo de Mando (1 nec Incl No 81)	292	26460	Grapa de la Línea de Combustible (1 nec)
83	30588A	Carrete de Mando (1 nec)	298	650665	Tornillo de 1/4-15 x 7/8" (2 nec)
86	650488	Tornillo de 1/4-20 x 1-1/4" (7 nec)	300	35591	Tanque de Combustible (Incl 292 y 301)
89	32589	Llave del Volante (1 nec)	301	35355	Tapa del Combustible (1 nec)
90	611080	Volante (1 nec)	305	35554	Tubo para Llenado de Combustible
92	650815	Arandela Belleville (1 nec)	307	35499	Anillo en "O" (1 nec)
93	650816	Tuerca del Volante (1 nec)	308	35539	Presilla del Tubo de Llenado (1 nec)
100	34443B	Conjunto Transistorizado (1 nec)	310	35556	Varilla de Medición de Aceite (1 nec, Incl #306)
101	610118	Cubierta para la Bujía (1 nec)	311	27625	Tapón de Llenado de Aceite (Incl 312)
102	650872	Husillo de Montaje Transistorizado (2 nec)	312	26973	Empaque del Tapón de Llenado de Aceite (1 PQ)
103	650814	Tornillo Torx No 10-24 x 1" (2 nec)	313	34080	Espaciador (1 nec)
110	35182	Alambre a Tierra	327	35392	Tapón del Arrancador (1 nec)
119	36437	Empaque del Cabezal del Cilindro (1 nec)	339	28212	Espaciador (2 nec)
120	36438	Cabezal del Cilindro (1 nec)	340	35926	Ménsula del Tanque de Combustible (1 nec)
125	29313C	Válvula de Escape Std (1 nec)	342	650751	Tornillo Torx de 1/4-20 x 7/16" T-30 (4 nec)
	29315C	Válvula de Escape S E (1 nec)	345	32664	Deflector de Calor (1 nec)
126	29314B	Válvula de Entrada Std (1 nec)	370	33107	Etiqueta de Instrucción (1 nec)
	29315C	Válvula de Entrada S E (1 nec)	370A	36260	Etiqueta del Cebador (1 nec)
130	6021A	Tornillo Dentado de 5/16-18 x 1-1/2" (1 nec)	370B	34346	Etiqueta de Lubricación (1 nec)
131	650694A	Tornillo de 5/16-18 x 2" (7 nec)	380	632589	Carburador [Incl No 184] (1 nec)
132	650708	Arandela (1 nec)	390	590688	Arrancador de Rebobinado (1 nec)
135	33636	Bujía [RJ-17LM] (1 nec)	400	36493	Juego de Empaques [elementos marcados *] (1 nec)
			420	730225	Aceite para Motor de 4 ciclos SAE30 (cuarto)



Carburador No. 632589

ELEM.	NO. DE PARTE	DESCRIPCION	ELEM.	NO. DE PARTE	DESCRIPCION
1	631615	Conjunto de Eje de Mando y Palanca (1 nec)	31	631022	Presilla de Resorte (1 nec)
2	631767	Resorte de Retorno de Mando (1 nec)	35	36045	Anillo Perilla/retenedor Cebador (1 nec.)
4	631184	Arandela Contra Polvo (1 nec.)	35a	632647	Filtro de la Perilla Cebadora (1 nec)
5	631183	Sello Contra Polvo [mariposa] (1 nec)	40	*632591	Tornillo de Ajuste Principal (1 nec)
6	632590	Persiana de Mando (1 nec.)	41	*630740	Anillo en "O", Tornillo de Mezcla de Alta Velocidad (1 nec.)
7	650506	Tornillo de la Persiana (1 nec)	42	630738	Arandela, Tornillo de Mezcla de Alta Velocidad (1 nec)
16	632164	Adaptador de Combustible (1 nec)	43	630738	Resorte de Tensión, Tornillo de Mezcla de Alta Velocidad (1 nec)
25	631867	Copa del Flotador (1 nec)	44	*27110	Arandela para Tuerca de Copa (1 nec.)
27	*631024	Eje del Flotador (1 nec)	48	*631027	Tapón Welch, Ventana Atmosférica (1 nec)
28	632019	Flotador (1 nec)	60	632592	Juego de Reparación [incl los elementos Marcados *] (1 nec)
29	*631028	Anillo en "O", Copa al cuerpo del flotador (1 nec)			
30	*631021	Aguja de Entrada, Asiento y Presilla de Resorte [incl No. 31] (1 nec)			



**Arrancador de Rebobinado No. 590688**

ELEM.	NO. DE PARTE	DESCRIPCION
1	590599A	PASADOR DE RESORTE [incluido el No. 41] (1 NEC)
2	590600	ARANDELA (1 NEC)
3	590615	RETENEDOR (1 NEC)
4	590601	ARANDELA (1 NEC)
5	590598	RESORTE DE FRENO (1 NEC)
6	590616	TRINQUETE DEL ARRANCADOR (2 NEC)
7	590617	RESORTE DEL TRINQUETE (2 NEC)
8	590618A	POLEA Y CONJUNTO DEL RESORTE DE REBOBINADO (1 NEC)
9	590619	RESORTE DE REBOBINADO (1 NEC)
10	590620	CUBIERTA DEL RESORTE (1 NEC)
11	590687	CONJUNTO DE LA CAJA, ARRANCADOR (1 NEC)
12	590535	CUERDA DEL ARRANCADOR [longitud de 114" y 11/64" de diá] (1 NEC)
13	590701	CONJUNTO DEL ASA, ARRANCADOR (1 NEC)

# SEARS

## MANUAL DEL USARIO

MODELO NO.

**580.741700**

### SI NECESITA REPARACIONES SERVICIO O PIEZAS

CON REPARACIONES  
SERVICIO, LLAME EL  
TELEFONO GRATUITO  
**1-800-4•REPAIR**

(1-800-473-7247)

CON INFORMACION DE  
REPARACIONES DE PIEZAS  
Y PEDIDOS, LLAME EL  
TELEFONO GRATUITO  
**1-800-FON-PART**

(1-800-366-7278)

# CRAFTSMAN

## MAQUINA LAVADORA DE ALTA

### PRESION

### 1400 PSI

### 3 CABALLOS DE FUERZA

Cada Máquina Lavadora de Alta Presión posee su propio número de modelo. Cada motor posee su propio número de modelo.

El número de modelo de su máquina lavadora de presión será encontrado en una etiqueta adherida a la unidad.

El número de modelo del motor será encontrado en la Caja del Soplador del motor adyacente a la bujía.

Todas las partes enlistadas aquí pueden ser ordenadas a través de los Centros de Servicio de Sears, Roebuck and Co. y la mayoría de las Tiendas de Venta al Detal.

#### APORTE SIEMPRE LA SIGUIENTE INFORMACION CUANDO ESTE ORDENANDO REPUESTOS:

- PRODUCTO — MAQUINA LAVADORA DE ALTA PRESION
- NUMERO DE MODELO — 580.747100
- NO. DE PARTE DEL MOTOR — 143.943009
- NUMERO DE LA PARTE
- DESCRIPCION DE LA PARTE

A su mercancía de Sears se le ha añadido valor debido a que Sears tiene unidades de servicio en toda la nación equipadas con técnicos entrenados por Sears...técnicos profesionales entrenados específicamente en los productos de Sears, poseyendo las partes, la herramientas y los equipos necesarios para asegurarse que vamos a satisfacer nuestro compromiso con usted, le damos servicio a lo que vendemos.

**SEARS, ROEBUCK and CO., Hoffman Estates, IL 60179 U.S.A.**